

Broil King®



Broil King Imperial™

XL
9577-82
9577-83
9577-86
9977-82
9977-83
9977-86

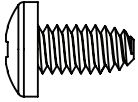
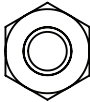


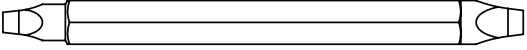



Broil King Imperial™

XLS
9578-82
9578-83
9578-86
9978-82
9978-83
9978-86

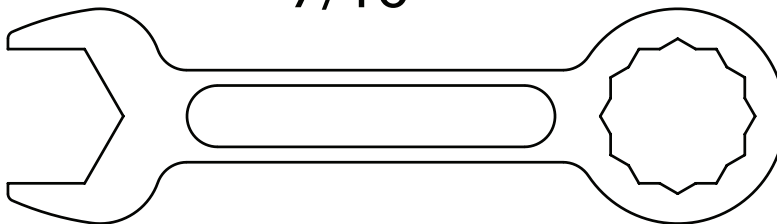
Onward
MANUFACTURING COMPANY
SINCE 1906
1000 EAST MARKET STREET
HUNTINGTON, INDIANA, 46750, USA

HARDWARE INCLUDED / MATERIAL INCLUS / EQUIPOS INCLUIDO

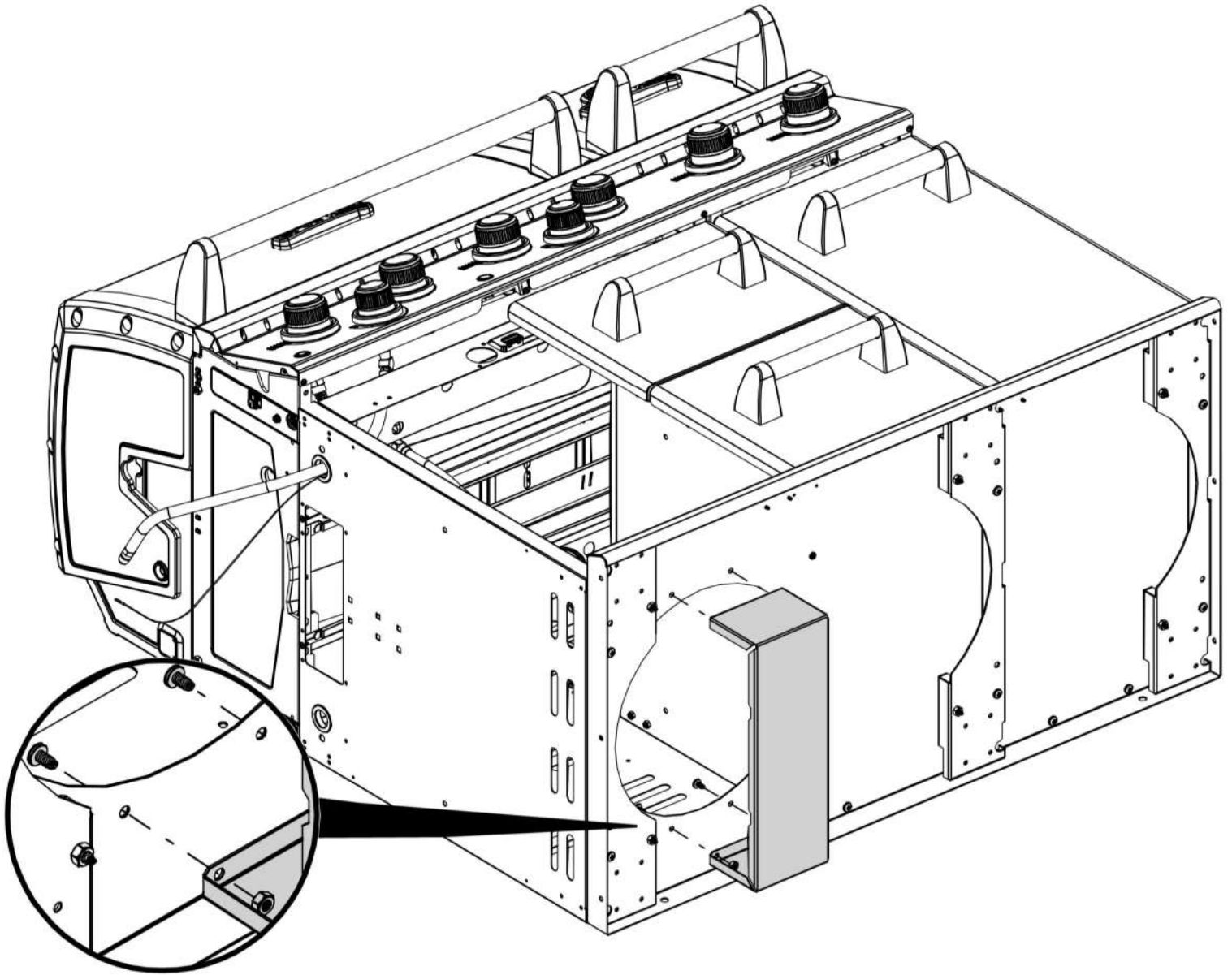
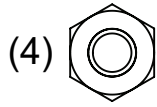
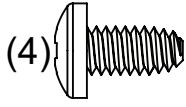
<p>Y-12865</p>  <p>X32</p>	<p>Y-11793</p>  <p>X8</p>
<p>Y-29306</p>  <p>X4</p>	   <p>#3 ROBERTSON</p> <p>#2 ROBERTSON</p>

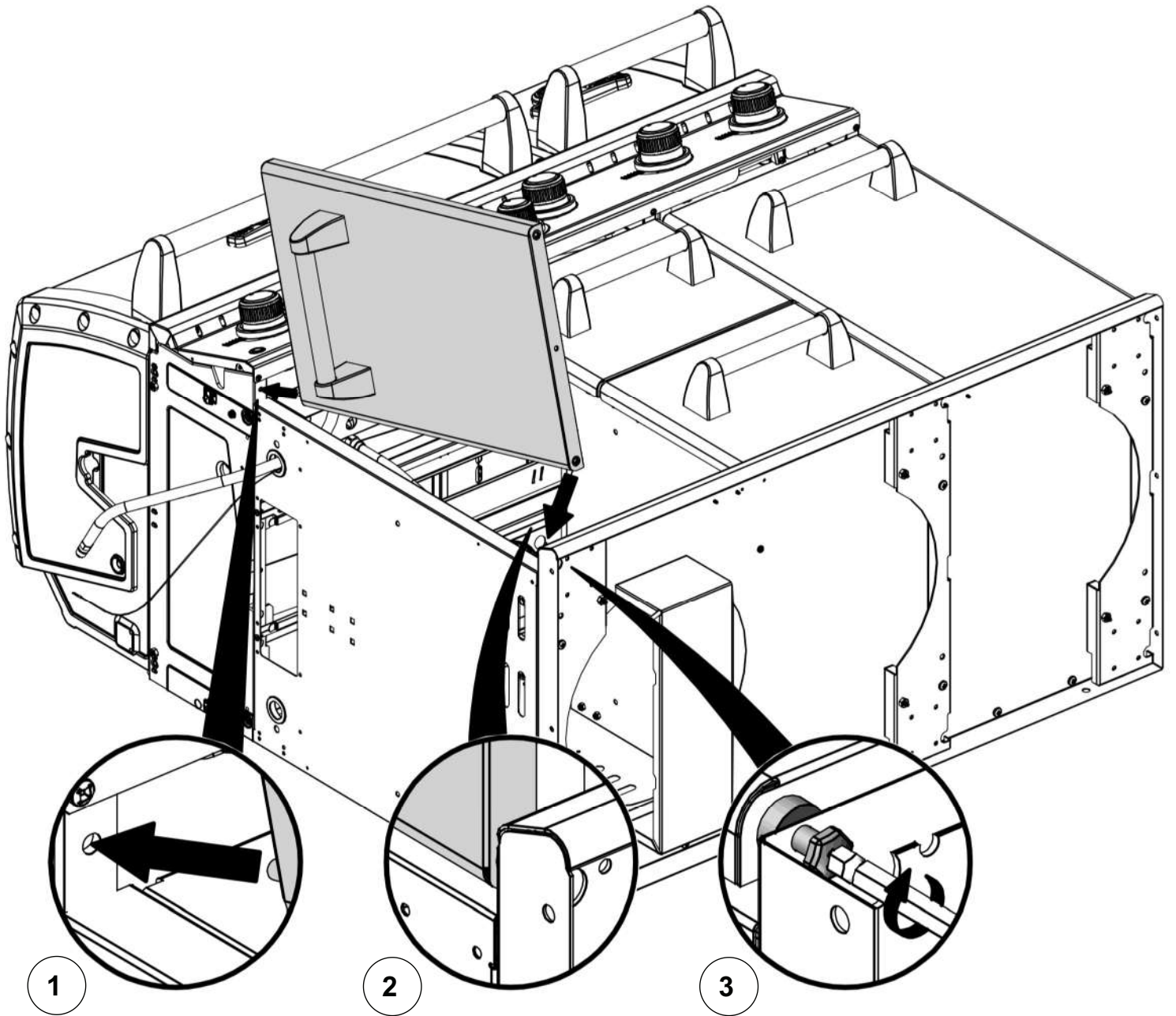
TOOLS REQUIRED / OUTILS NECESSAIRES / HERRAMIENTAS NECESARIAS

7/16"



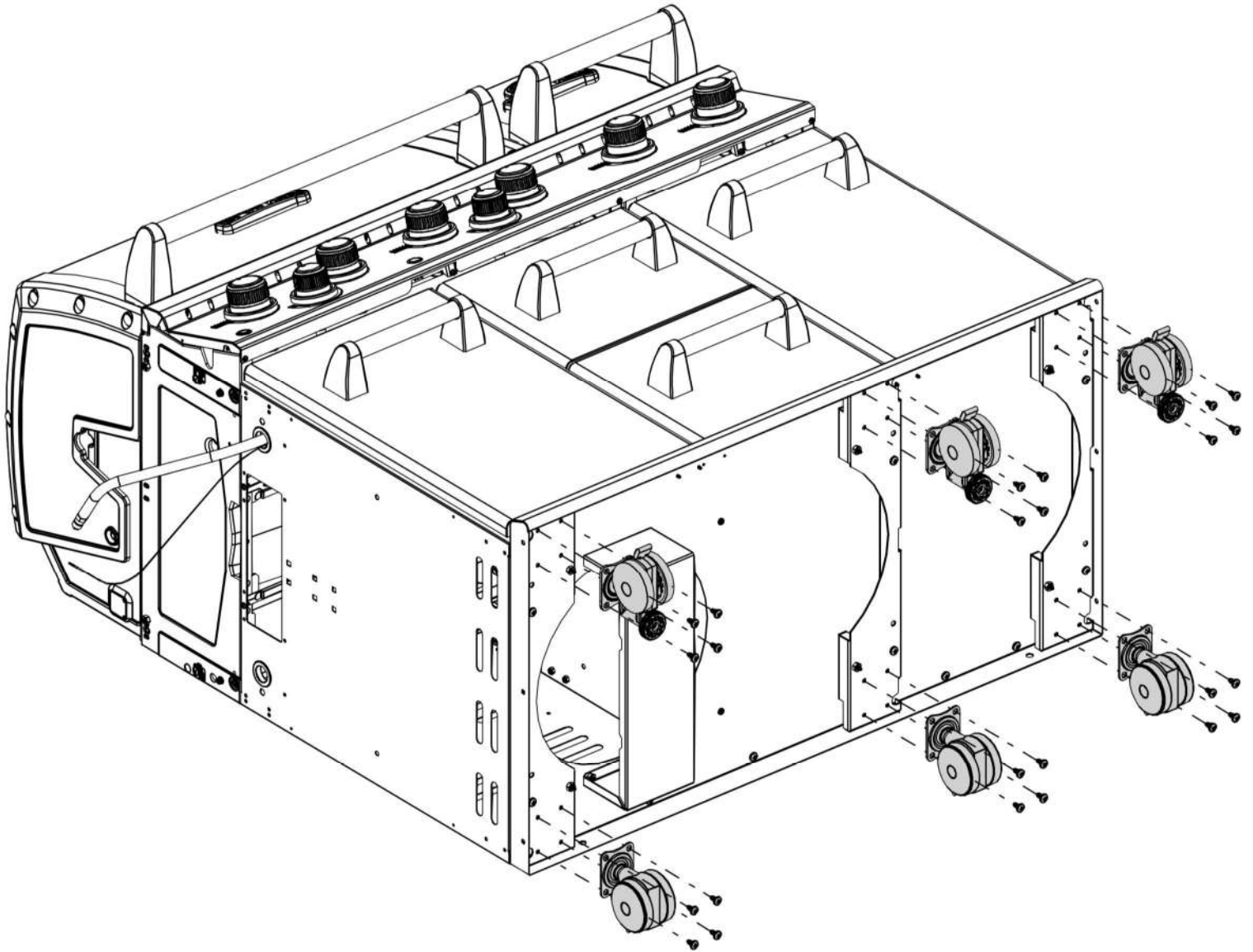
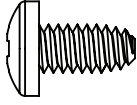
1



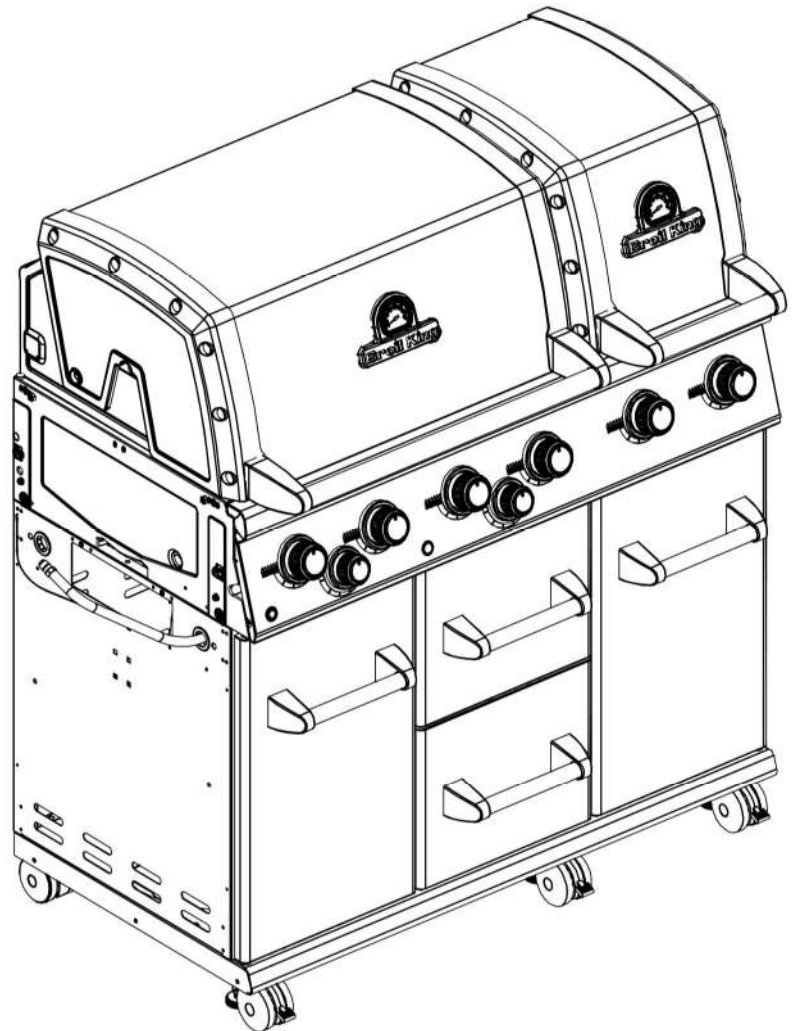
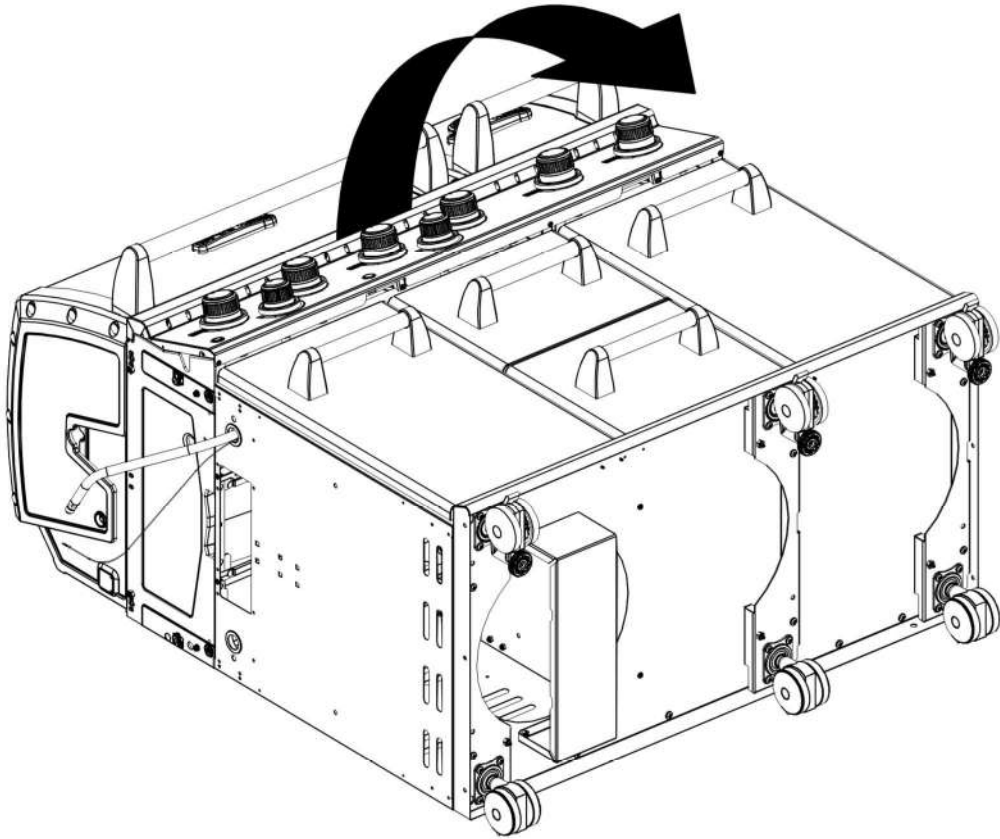


3

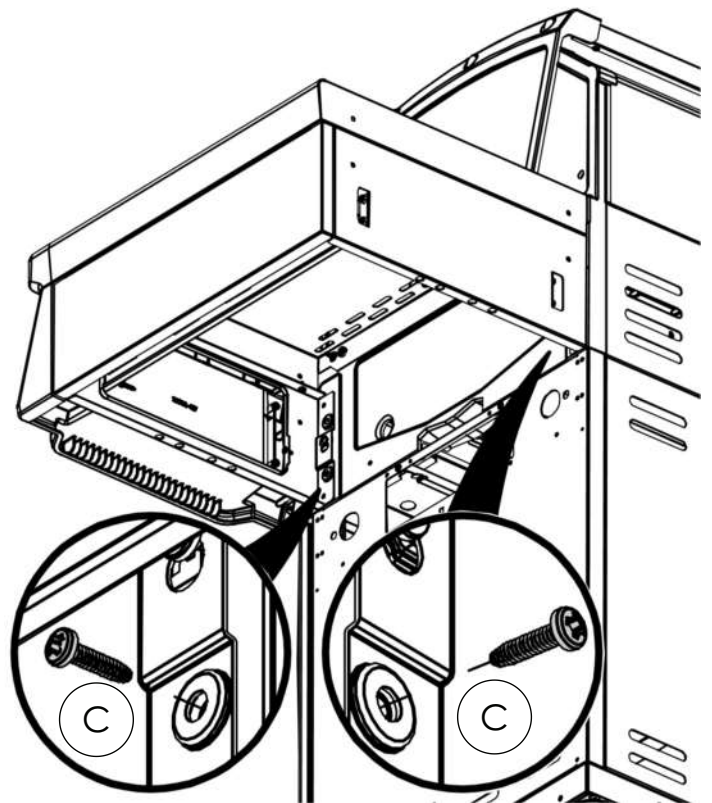
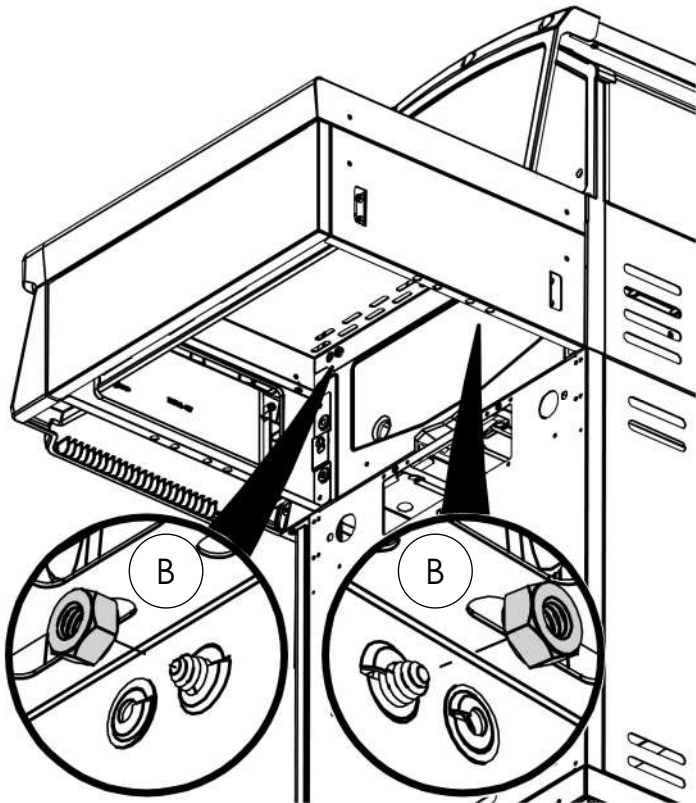
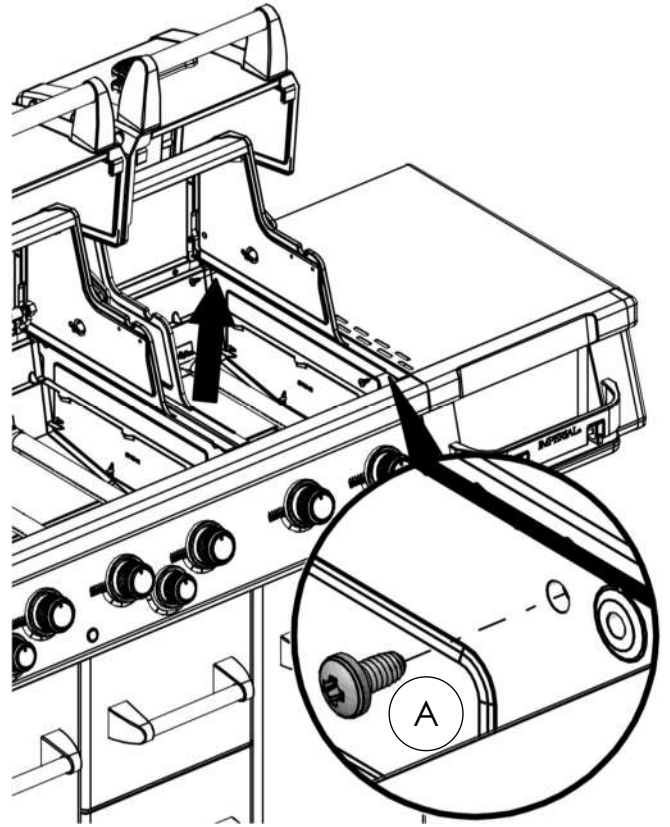
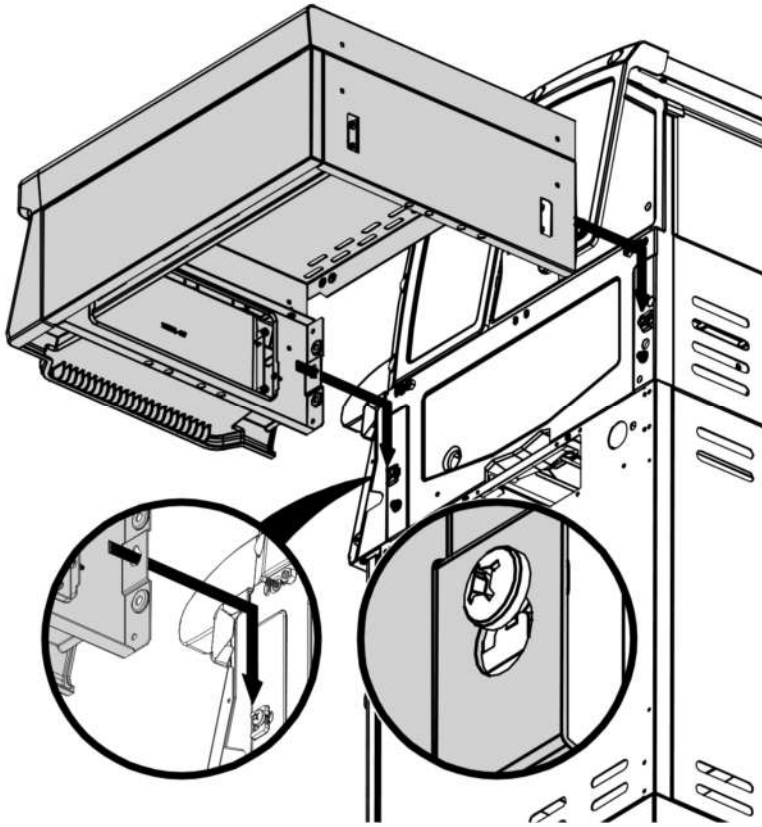
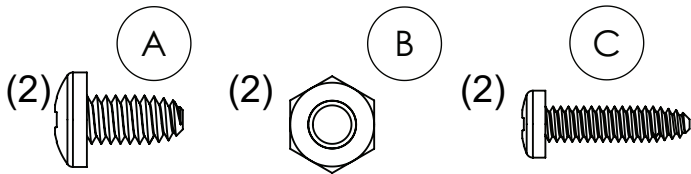
(24)



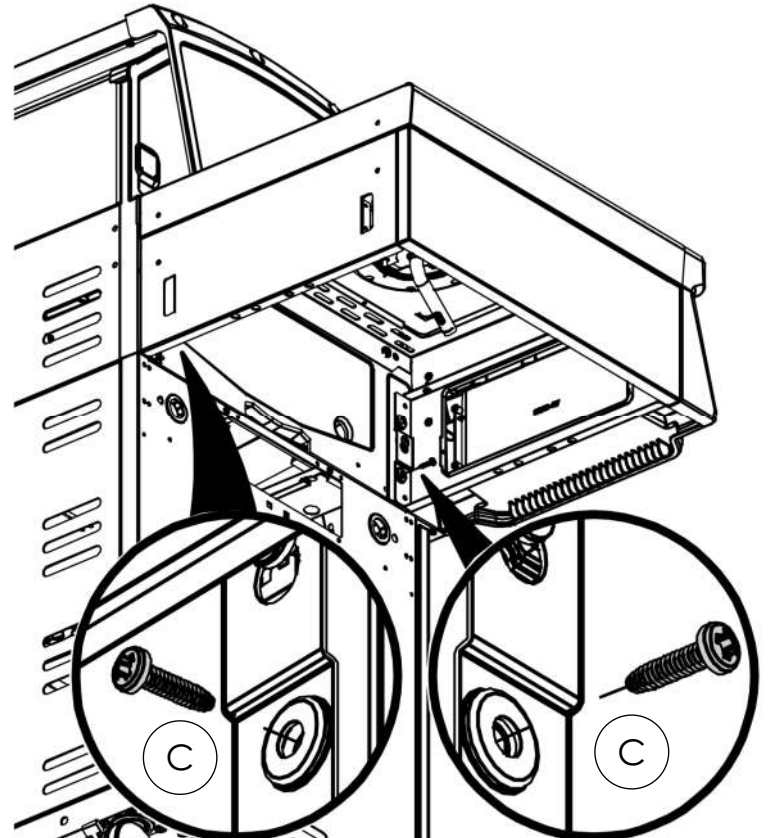
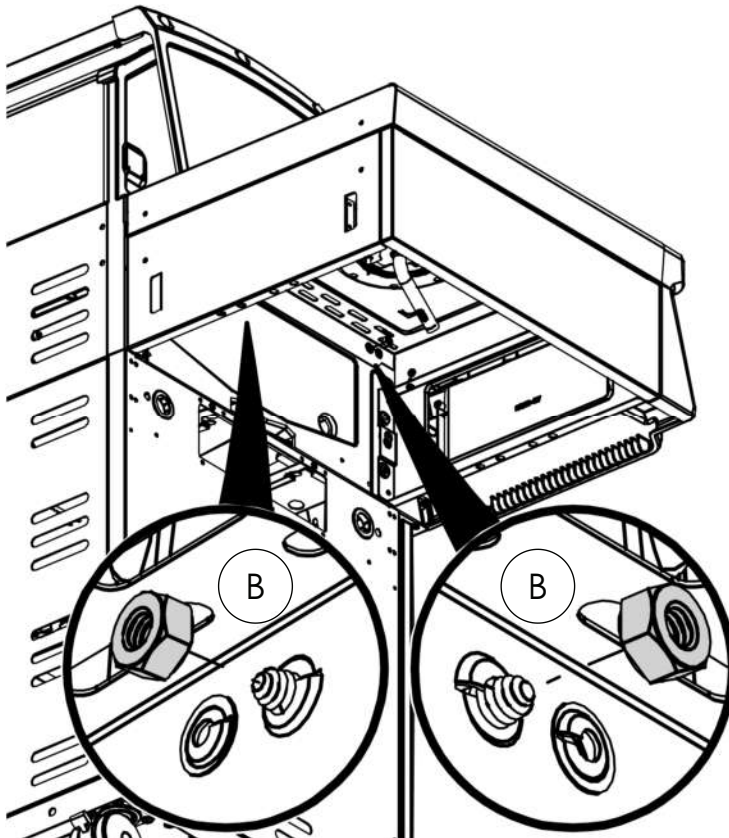
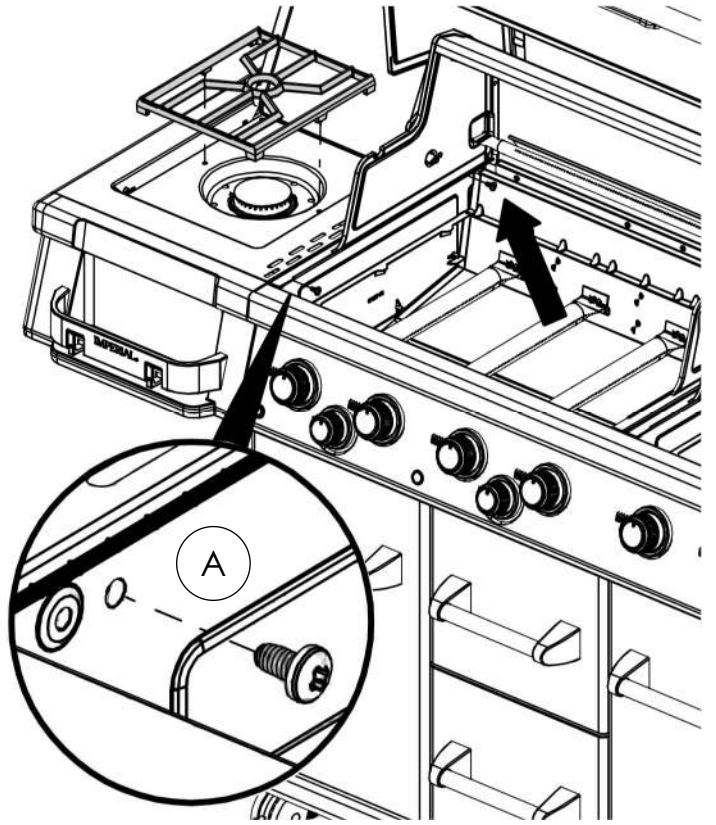
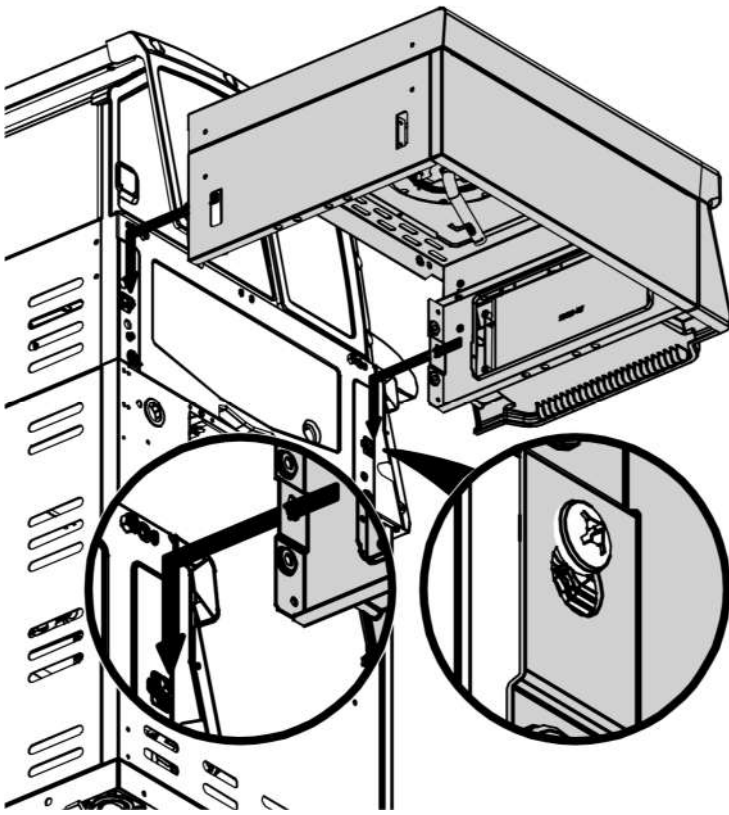
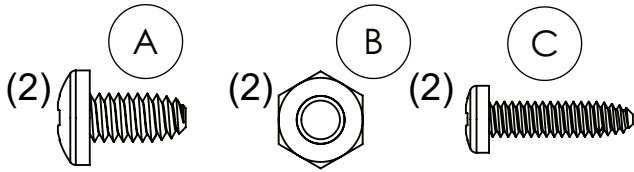
4



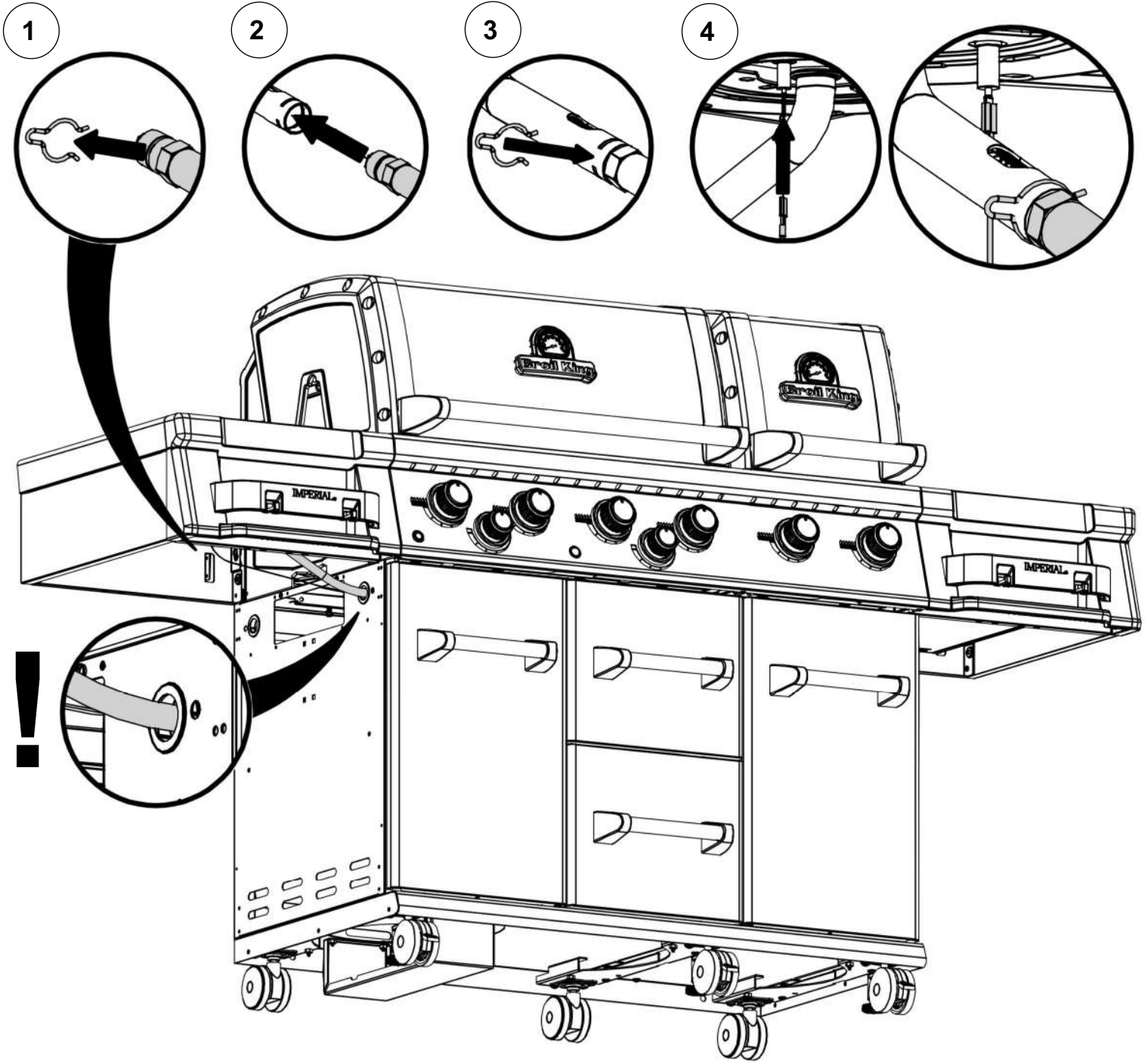
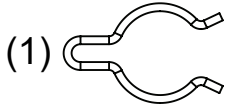
5



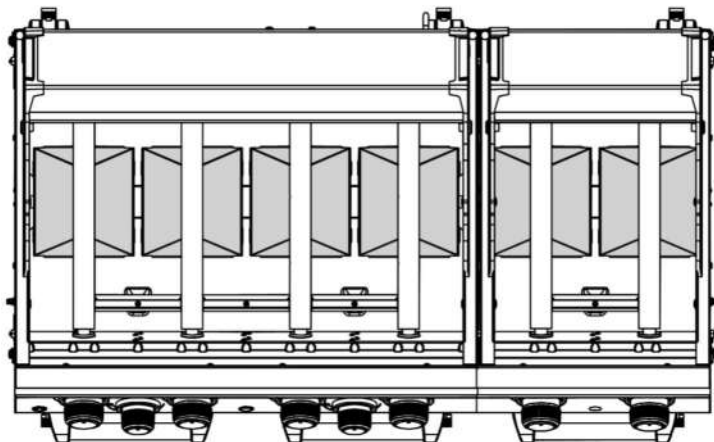
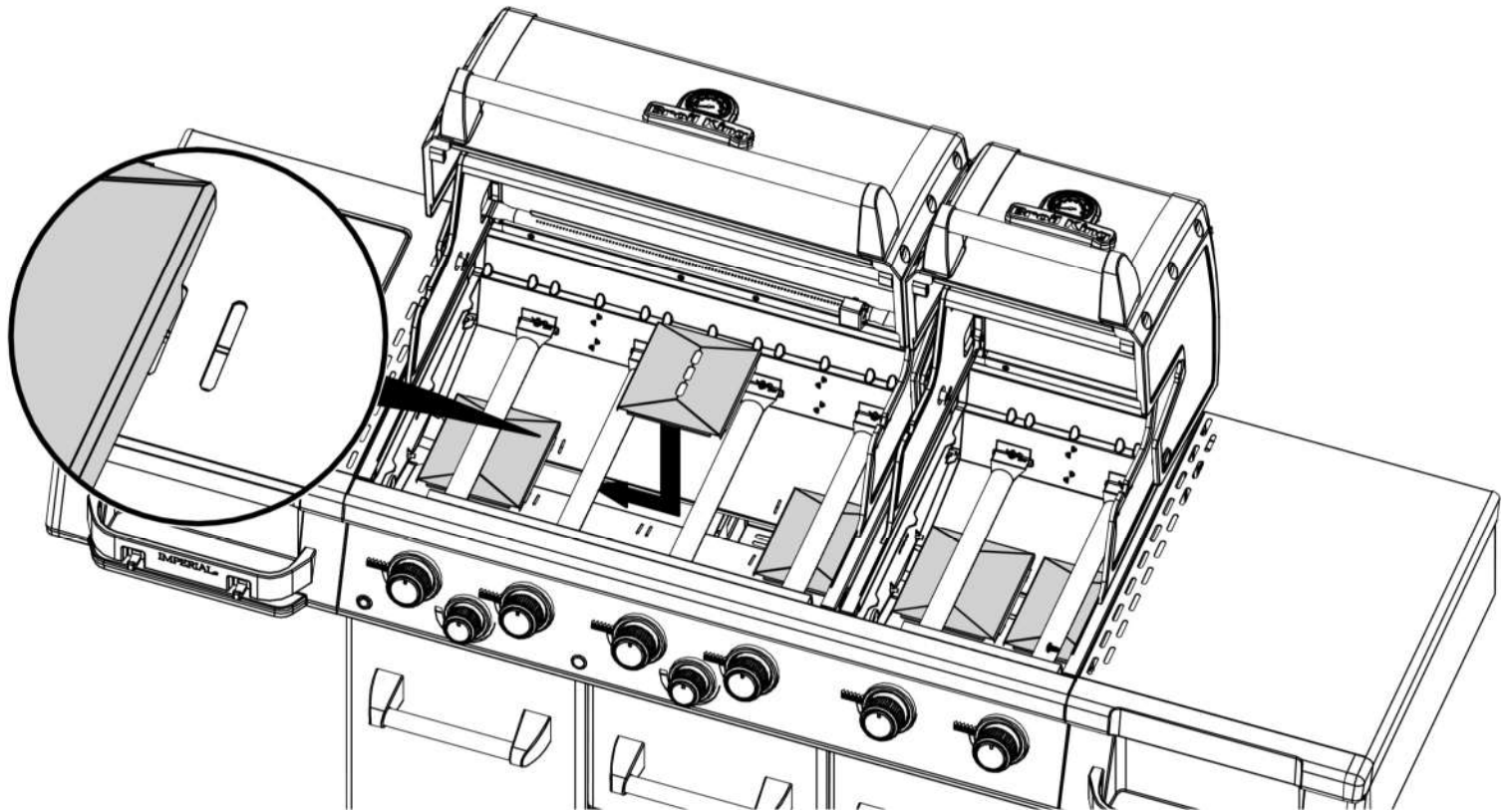
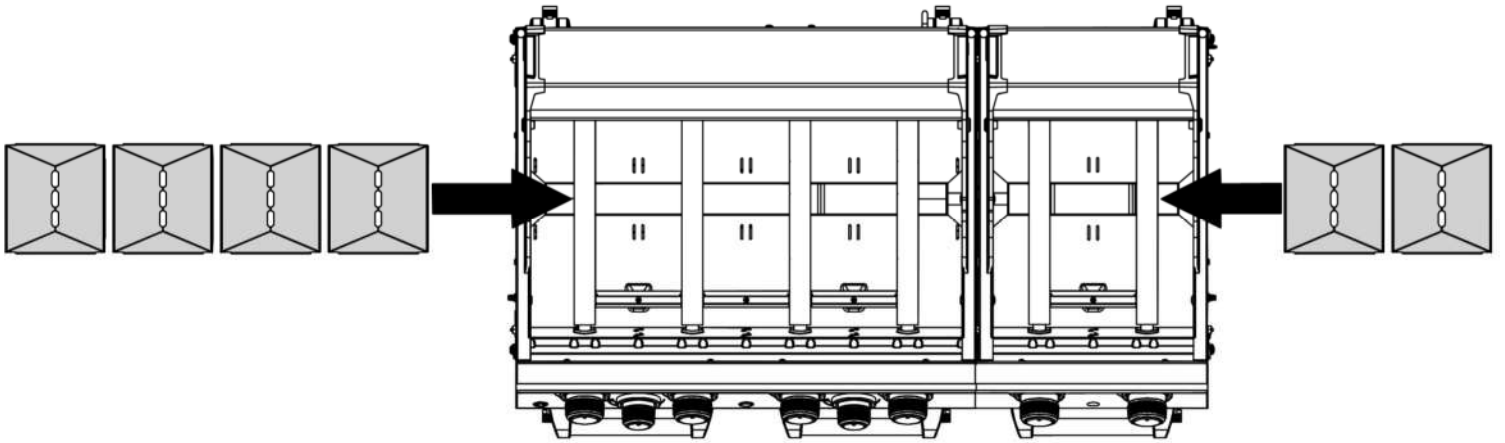
6

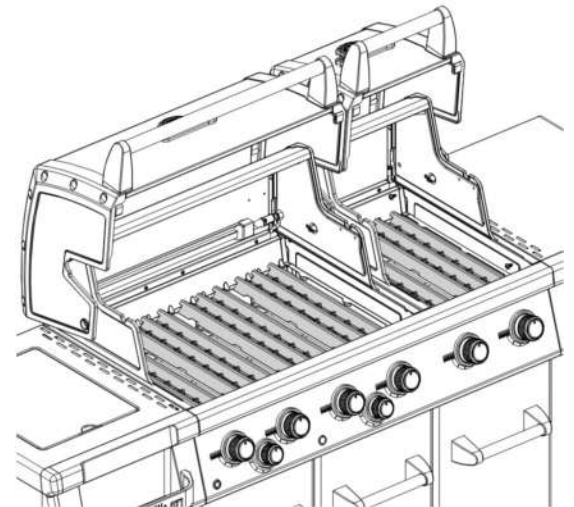
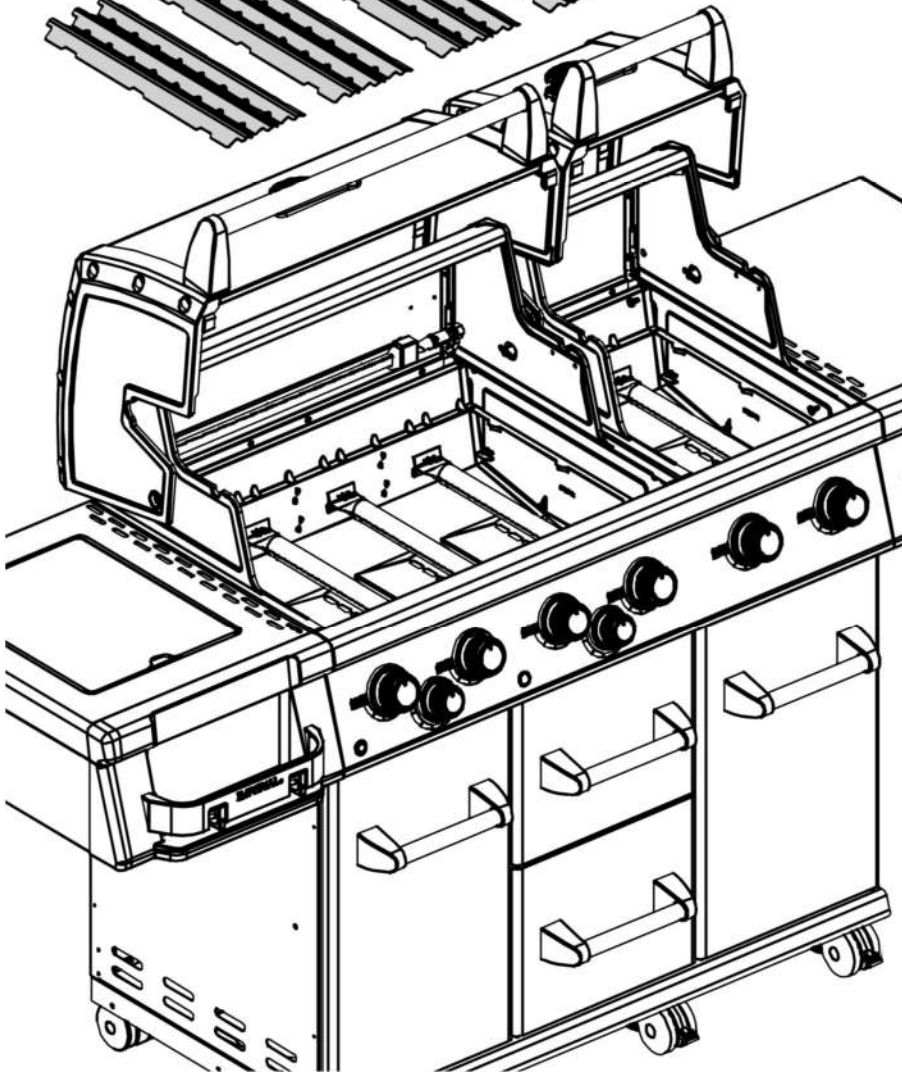
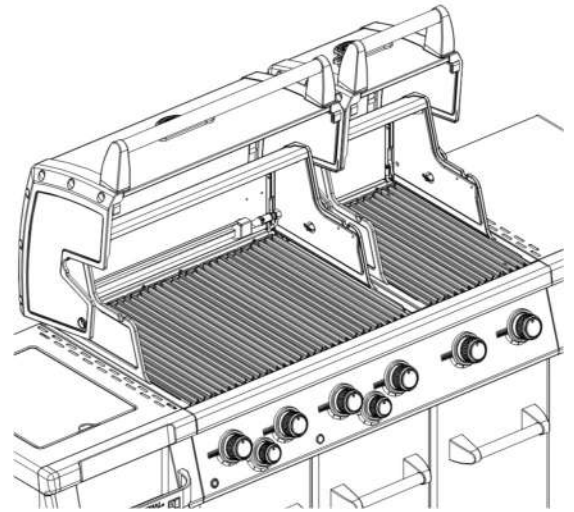
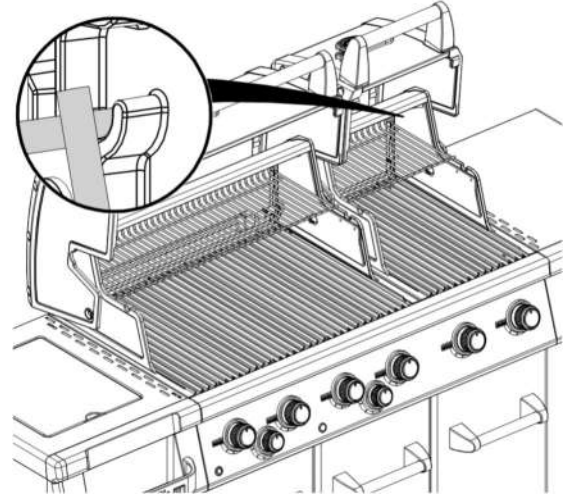
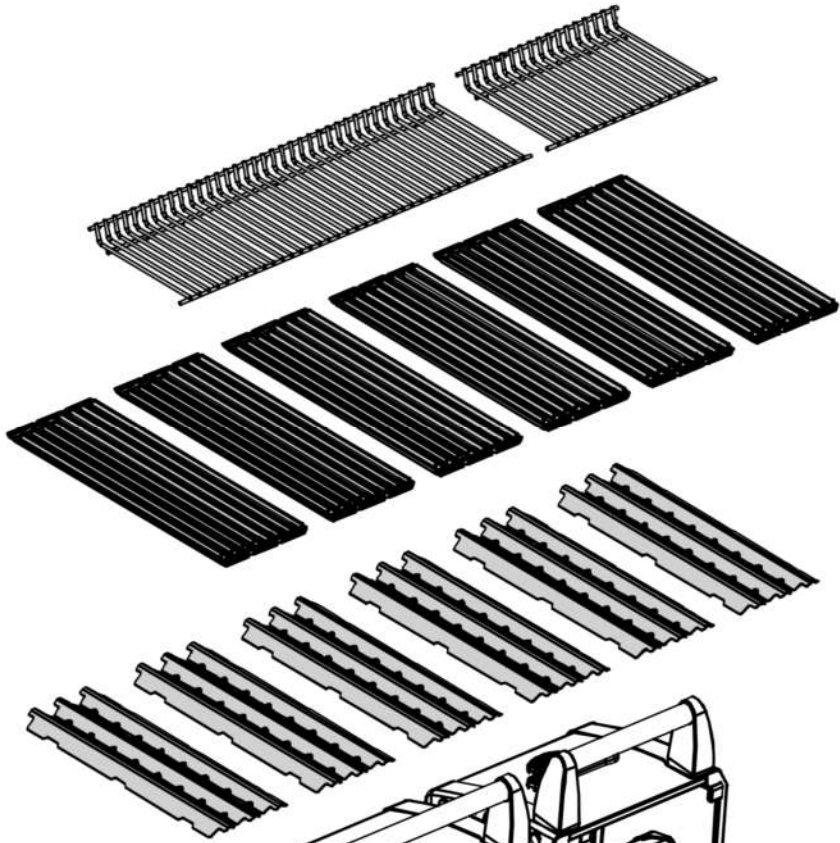


7

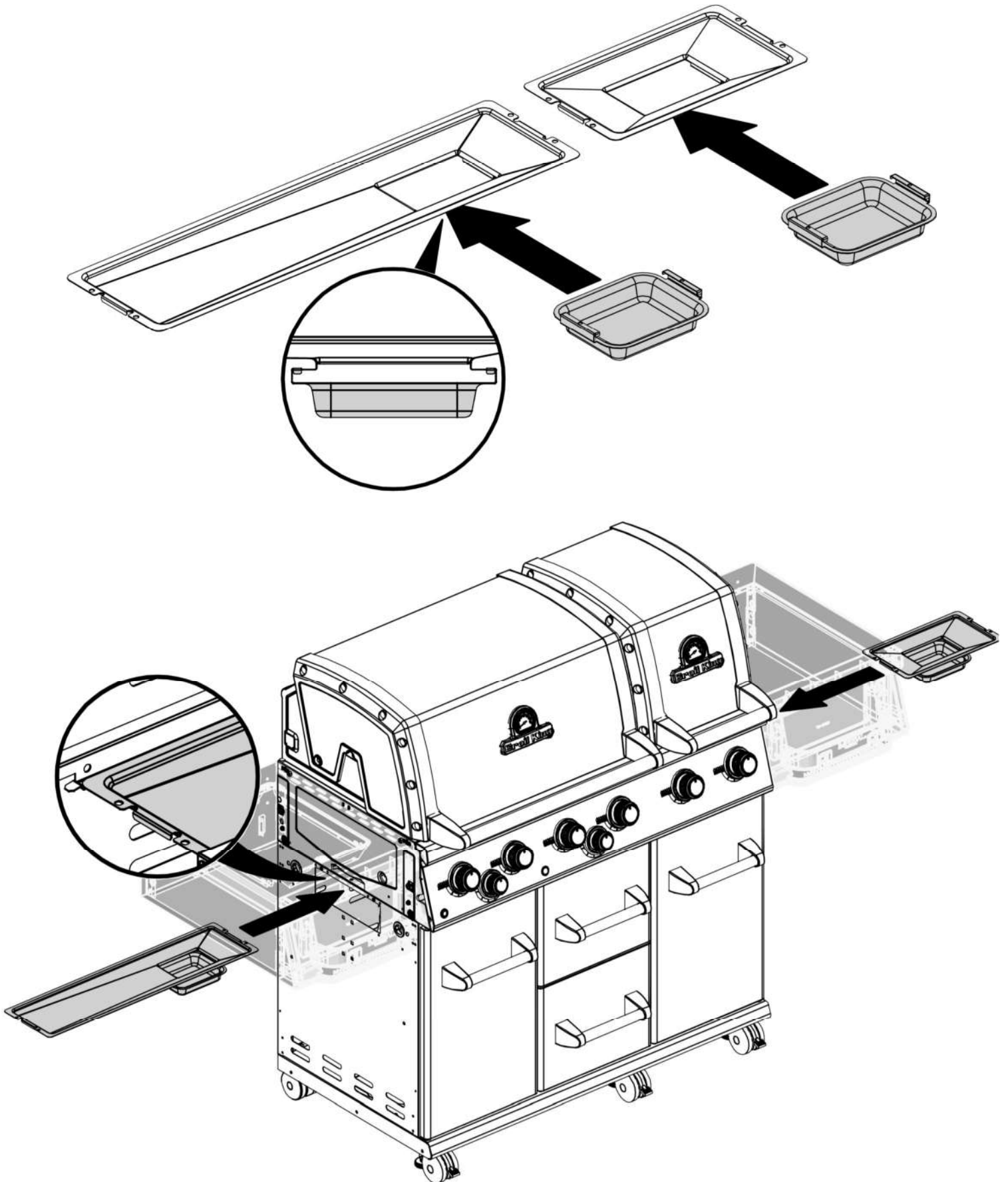


8

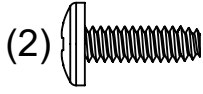




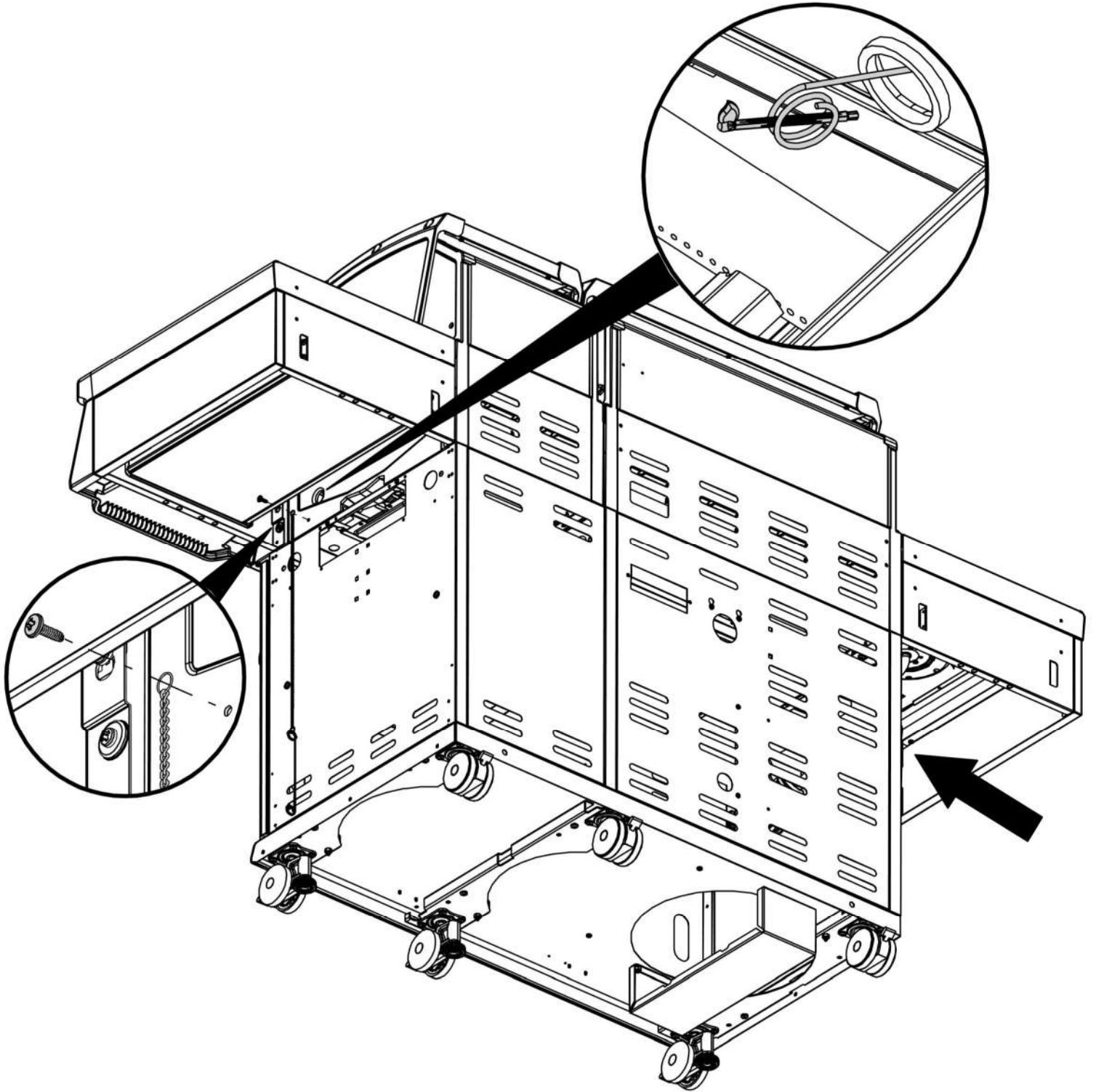
10



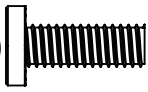

11

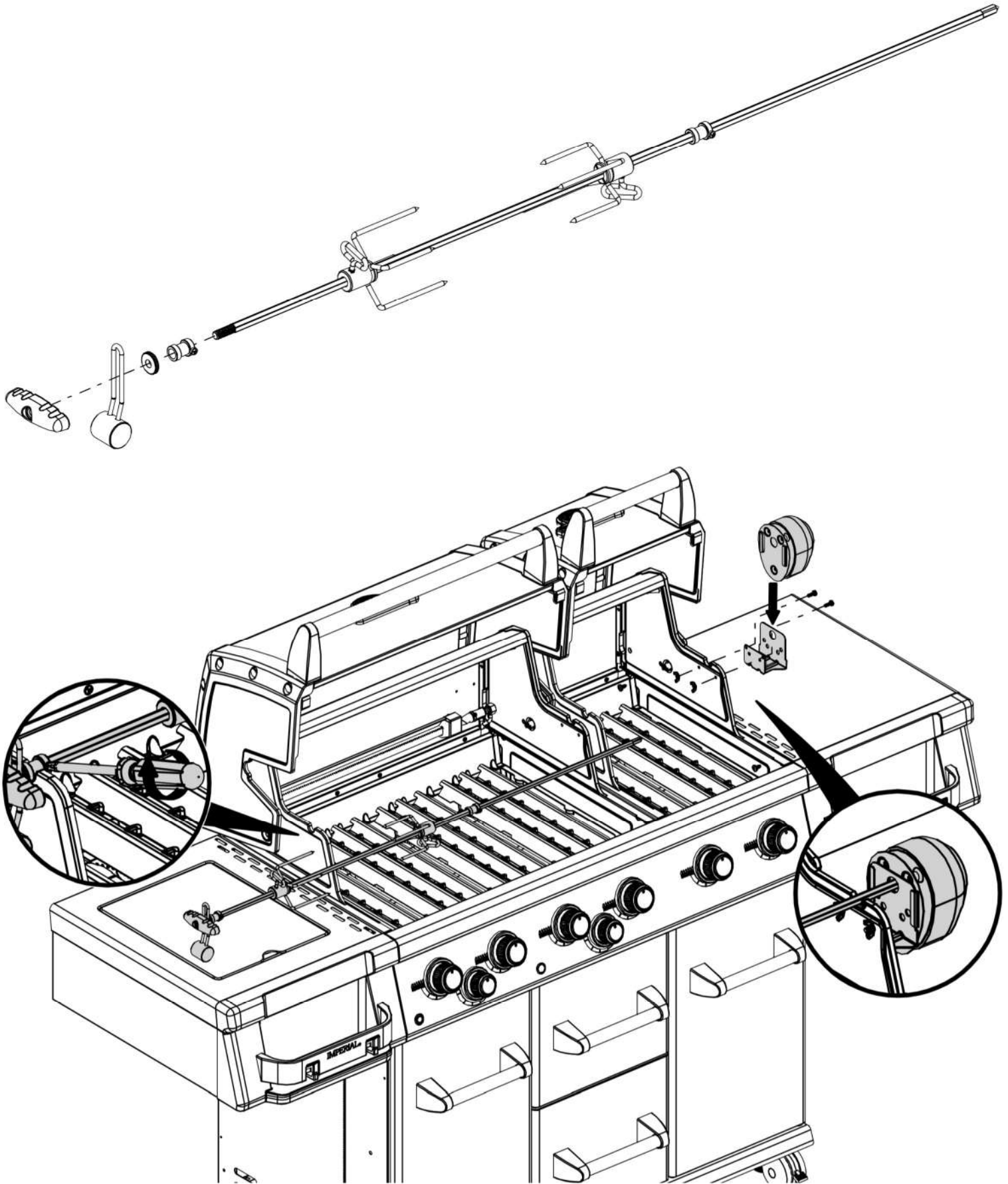


(2)



12

(2)  (2) 



13

(1)



AA

