



DOVRE

**CATALOGUE 2015 - 2016
STOVES & FIREPLACES**

new

Lots of new models available!
Discover them all on the these pages:
22, 40, 60, 62, 63, 80, 81, 86 and 110

Fire with Character





Dovre NV of Belgium is a family owned company that specialises in the development, production and sales of fireplaces and stoves in high quality cast iron. The company has been a reference for cast iron for many years. Dovre products are best known for their quality and attractive design, high efficiency and environmentally responsible combustion. These performance parameters, which are well above international standards, are the result of a great deal of professional expertise and commitment. Dovre stands for authentic warmth with real flames, and for tastefully designed products that will suit any living room. The company's innovation and creativity are constantly applied for still more warmth and comfort.

Fire with character

Dovre fireplaces and stoves have their origins in the harsh winters of the far north. They have been proving their exceptional quality day after day for more than 80 years.

Over the past years, Dovre products have gained an iron-clad reputation for innovative heating technology in our part of the world as well. Hundreds of thousands of people are already enjoying the cosy warmth and comfort of a Dovre in their living room. Dovre stoves and fireplaces are made of the perfect heat conductor: high quality cast iron.





TIPS FOR CHOOSING A STOVE OR FIREPLACE.	P. 10
ENAMEL	P. 12
FUEL TYPES	P. 13
BUILT-IN FIREPLACE OR CASSETTE?	P. 14
SECONDARY COMBUSTION TECHNOLOGY	P. 15
DIRECT FRESH AIR SUPPLY: "OUTSIDE AIR"	P. 15
AIRWASH: FOR A GLASS THAT STAYS CLEAN FOR A LONGER TIME	P. 15
5 + 5 = 10 YEAR GUARANTEE	P. 16
YOUR DOVRE SPECIALIST MAKES THE DIFFERENCE	P. 17
10 REASONS TO CHOOSE DOVRE	P. 17

Stoves

BOLD	P. 22
SENSE	P. 26
VINTAGE	P. 32
TAI	P. 40
ASTRO4	P. 46
ASTRO3	P. 50
ASTRO2	P. 52
760	P. 56
640	P. 58
BRUT	P. 60
525CB	P. 62
325CB	P. 63
2575/3SEC	P. 65
350 & 360	P. 66
2175CB3/SC	P. 67
750	P. 68
725GA	P. 69
250	P. 70
425	P. 72
550CB & 555GM	P. 74
310GX	P. 76
40CBS	P. 77
100CBS - 300CB - 600	P. 78
SONATA	P. 80
PRELUDE	P. 81

Fireplaces

VISTA	P. 86
ZEN	P. 92
2180	P. 98
2175	P. 104
2176	P. 106
2576	P. 107
20-SERIES	P. 110
10-SERIES	P. 116
PHOENIX	P. 118
2100	P. 120
2400	P. 122

Technical specifications

STOVES	P. 125
FIREPLACES	P. 132

Dixie Dansercoer is a polar explorer who has built himself an impressive reputation through his expeditions, which have made him a phenomenon in Belgium and an authority in his field worldwide. Like no other, Dixie knows how important it is to approach our scarce energy sources with a focus on durability and to preserve the ecological balance of our planet. Each one of his expeditions is a source of 'innovative thoughts and concepts' that are the result of a close collaboration with his partners.

At Dovre, we recognize ourselves in Dixie's passion and authenticity and believe we share the same principles. We also are constantly striving to find new ways to improve our products and to make them more ecological.

When Dixie returns home from the harsh, cold North, he can't wait to turn on his Dovre stove and enjoy the soothing warmth of an intense fire.





"The cold North and the warmth of Dovre, the perfect match!"

Dixie Dansercoer, Polar explorer





CAST IRON THE WAY THAT ONLY DOVRE MAKES IT!

High quality cast iron is an ideal heat conductor. The rigidity and high temperature resistance of cast iron are the best guarantees of the durability of your appliance. That is the Dovre foundry's speciality.

Using the most modern manufacturing processes and ultrafine mould sand gives not only improved shape retention, but also improves the appearance of the surface structure.

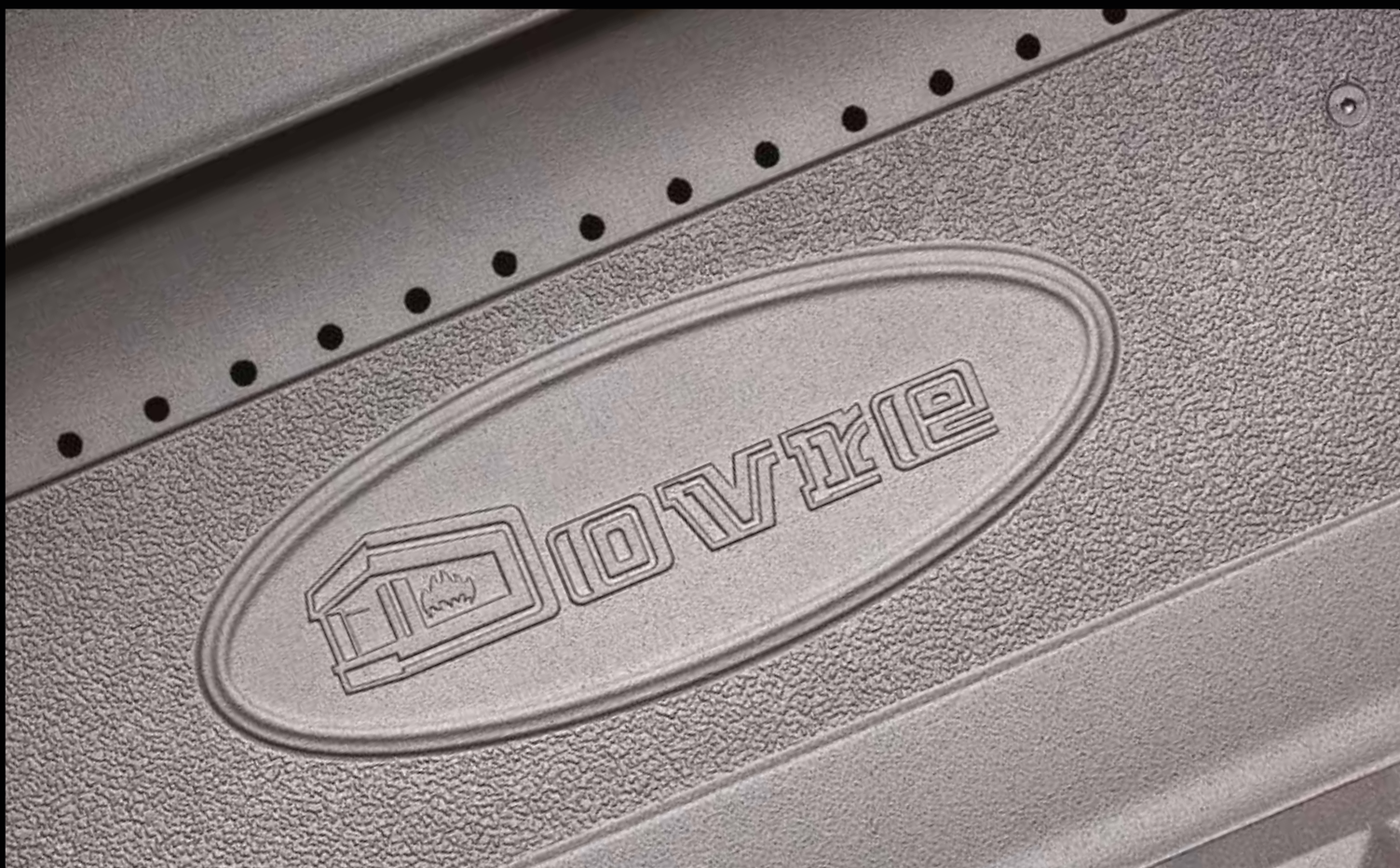
OWN FOUNDRY CHOOSES QUALITY

Since Dovre built its hypermodern foundry in Belgium, Dovre has also built up a strong position in the wholesale market.

The high degree of automation of its foundry makes Dovre an excellent partner for the production of large series of thin wall castings up to approx. 30 kg.

Dovre castings are characterized by their surface consistency and precise measurement. Dovre guarantees high quality and has extensive production and assembly facilities. It has a well equipped sheet metal working installation and a hyper modern enamelling plant.

More info: www.dovrefoundry.com



TIPS FOR CHOOSING A STOVE OR FIREPLACE.

FUEL

Which fuel is right for you? A crucial question when buying a fireplace or stove. Wood, coal, lignite briquettes, gas, ...? Read more under "FUEL TYPES" on the next page.

FREESTANDING OR BUILT IN?

A FIREPLACE is built into the wall. That just leaves the front glass visible. There is a choice of a built-in fireplace or a cassette. Built-in fireplaces are fully built into the chimney and cannot be removed afterwards without major structural work. Cassette, inset or insert fireplaces are made in a compact shape with a flat top and are slid into an opening in the chimney. That means that the frame of the appliance covers the opening. These appliances can be simply removed from the chimney later the same way without structural work.

A STOVE is installed in front of the chimney breast and is freestanding (usually up against a wall). A stove can be considered as an additional piece of furniture in the living room. With a stove you enjoy still more of the radiant heat around the appliance and with a top connection the extra radiant heat from the pipe gives optimal heat recovery.

The efficiency of stoves is about the same as that of built-in and inserts.



EFFICIENCY

The higher the efficiency, the more heat you get and the less fuel you need. The efficiency of Dovre woodburning stoves and fireplaces is optimised using secondary combustion, where a separate air which inlet allows combustion gas to burn. That is good for efficiency, safety and the environment. It also results in more complete combustion resulting in much less ash being left behind.

CAPACITY

Choose your appliance to suit the room you want to heat. You will get the best results if your appliance constantly burns at its nominal power. If your appliance is too large, it will often operate at a combustion level is too low. The result will be incomplete combustion, is not good for your chimney (increased risk of chimney fire because of soot deposits), nor for the environment (unburned flue gases in the atmosphere).

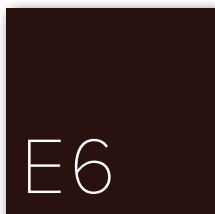
ENAMEL

Dovre's freestanding stoves usually have an anthracite- or black-lacquered finish. When available in enamel it is explicitly stated. Your stove is not just a heat source, but also a decorative element that fits perfectly into your interior design. Enamelling uses a two layer system developed using the most recent and most modern technologies which guarantees a high quality finish. You can choose from a unique range of glossy colours to help integrate your stove perfectly into any interior. The enamelled surface is also easy to clean, keeping your stove looking new for years to come!

Enamel colours available are:

- E6: majolica brown
- E8: creamy white
- E9: olive green (for Vintage series only)
- E10: glossy black
- E12: white white (for Sense, Vintage and Brut series only)
- E14: light grey (for Sense and Vintage series only)

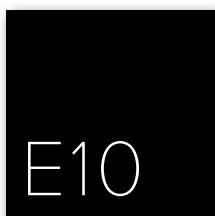
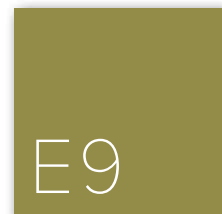
MAJOLICA BROWN



CREAMY WHITE



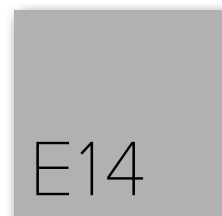
OLIVE GREEN



GLOSSY BLACK



WHITE WHITE



LIGHT GREY

FUEL TYPES

In our range you can choose different fuel types: wood, gas, coal or multi-fuel (= wood, coal and lignite briquettes).

SOLID FUELS:

The solid fuels you can choose from are wood, coal and lignite briquettes. Wood and coal burn in totally different ways.

COAL relies on heat from embers. When buying coal you need to check the ash content. This must not be higher than 5%.

WOOD burns away completely and produces more combustion heat, which provides a more pleasing effect. Good firewood must be completely dry. The moisture level must not be higher than 15%, or the wood will burn at too low a temperature, causing a significant drop in efficiency and possibly releasing noxious gases into the environment. Also, if the temperature is too low, soot can form in the flue.

LIGNITE BRIQUETTES are simple to use, burn slowly and keep the stove hot for a long time.

GAS:

A gas stove is very user-friendly: you can easily turn it on and off, or program it. The flame does not look the same as a wood fire. You can choose between open or closed combustion. With closed combustion fresh air is supplied via a double-skinned flue.

TIP!

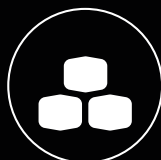
Good firewood must be dried for around three years. Wood dries on average one cm per year; splitting pieces as small as possible helps the drying process. Treated wood, painted and impregnated wood and wood scrap do not belong in a fireplace or stove and could emit toxic fumes when burned. You also run the risk that your insurance will refuse to compensate for damage attributable to a fire which uses treated wood.



WOOD



GAS



COAL



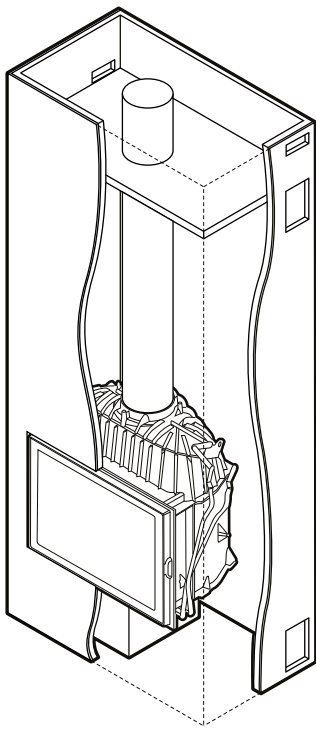
BRIQUETTES

BUILT-IN FIREPLACE OR CASSETTE?

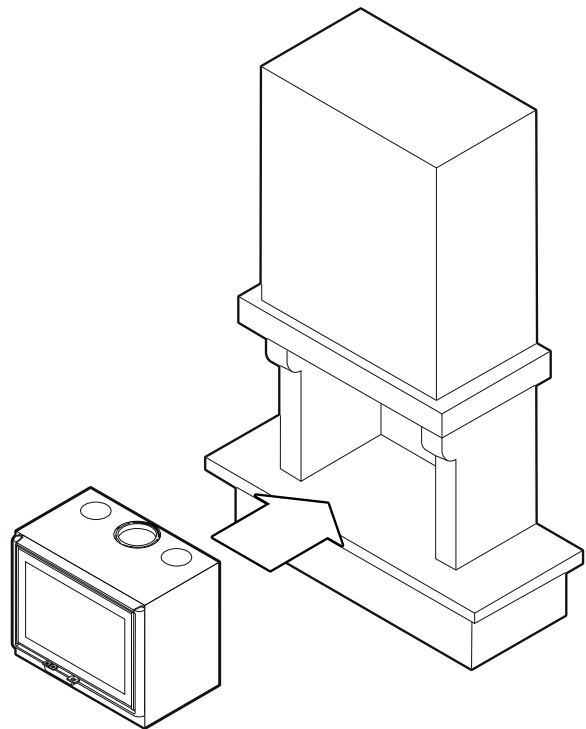
Dovre's range of built-in solutions includes a series of built-in fireplaces for use with newly built chimneys. Alternatively there are cassette fireplaces (also known as inset or insert fireplaces). These are originally designed for installation in existing chimneys, but can also be built into new chimneys.

Built-in fireplaces are fully built into the chimney and cannot be removed afterwards without major structural work. They are available with or without a convection box and fans. Built-in fireplaces are generally fitted into newly built chimney. All normal maintenance work can be carried out via the door opening. No structural work is needed for this.

Cassette, inset or insert fireplaces are made in a compact shape with a flat top so that they can be slid into an opening in the chimney. The frame of the appliance covers the opening. These appliances can be simply removed from the chimney later the same way without structural work. Built-in cassettes are fitted with a convection box and often have fans as well. They are typically used in the replacement market and installed in existing chimney, but can also be used in new build projects. All normal maintenance work can be carried out via the door opening. No structural work is needed for this.



BUILT-IN FIREPLACE



CASSETTE

SECONDARY COMBUSTION TECHNOLOGY

FOR HIGH EFFICIENCY AND A CLEANER ENVIRONMENT

The latest generation of Dovre stoves has a unique dual combustion system. Secondary air is taken into the stove from the rear. This is first heated and then piped into the combustion chamber. This causes secondary combustion which consumes the remaining combustible flue gas. Result: improved heat production and cleaner and environmentally friendly combustion.

DIRECT FRESH AIR SUPPLY: “OUTSIDE AIR”

Did you know that your stove or fireplace take air straight from outside? That means that no oxygen or heated air is lost from the room. The best choice for houses with a ventilation system or well insulated low energy homes.

AIR FROM OUTSIDE OR FROM ANOTHER ROOM?

You can choose where the fresh air is taken from: straight from outside, but also from an adjacent room, cellar or storage space.

CLEAN, SAFE COMBUSTION

This outside air supply means that the air needed is constantly taken in from outside and the delicate balance of aeration and ventilation is undisturbed. After being heated, the outside air is going straight into the combustion chamber, resulting in clean, safe combustion.

HEALTHY INSIDE AIR AND WONDERFUL HEAT!

An outside air supply means that clean and healthy internal air is guaranteed while you enjoy the blissful warmth!

DOVRE PRODUCTS WITH OUTSIDE AIR SUPPLY

Much of our range is already supplied with a connection to feed air from outside (diameter 100 mm). These products are listed at the back of this catalogue under “technical specifications”.

AIRWASH: FOR A GLASS THAT STAYS CLEAN FOR A LONGER TIME

Dovre’s Airwash system uses a spoiler to draw the air flow for secondary combustion across the glass. That keeps unburned fumes and condensation away from the glass, keeping the glass clean longer.

5 + 5 = 10 YEAR GUARANTEE

Dovre strives to deliver top quality. By combining workmanship, the use of high quality materials and parts and rigorous quality control, Dovre can offer a 5 year guarantee on the cast iron*. The guarantee for cast iron and enamel finish is extended by another 5 years if you submit the online guarantee form on our website within three months after purchase.

(*) except for components which come in direct contact with the flames, such as glass, grates, inner panels, etc.



YOUR DOVRE SPECIALIST MAKES THE DIFFERENCE

Dovre works with a network of professional importers and dealers who know their trade through and through! If you buy your stove or fireplace from a Dovre specialist, you can be sure that you are in safe hands. Not only are you buying a stove of outstanding quality, you are also sure of getting expert advice and outstanding service. Moreover, your dealer stays informed of the latest news on energy and heating, offers you a comprehensive range and will guide you in your choice. Naturally you can also rely on fast and professional installation.

You can find a list of official Dovre importers at www.dovrefire.com.

10 REASONS TO CHOOSE DOVRE

1. Quality and durability: solid cast iron
2. Tasteful design, for every living room
3. Wide range
4. Cost effective
5. In-house development and production
6. Extended guarantee (up to 10 years!)
7. Reliable
8. Skilled: 80 years' experience
9. Environmentally friendly
10. Authentic heat with real flames







Stoves

Dovre offers you a broad range of modern, timeless or traditional stoves, made in premium grade cast iron using the most modern production techniques. Our stoves are available in a range of designs and make a stylish feature in any interior. Unlike a built-in or cassette fireplace, a stove is free standing in front of the chimney opening. That lets you enjoy more of the cosy radiant heat around it. Dovre's renewed heating technology guarantees environmentally responsible combustion and high efficiency.



BOLD400



BOLD

Solid. Innovative. Functional.

If a contemporary, functional wood stove is on your wish list, then our BOLD series is worth looking into. This product is an excellent choice for those who appreciate traditional, Scandinavian wood stoves with a contemporary twist.

- BOLD300
- BOLD400



WOOD



BOLD

The BOLD wood stove stands out right away thanks to its modern design with monolithic accents. The interesting contrast between the black cast iron and the shiny, rounded glass window is another one of BOLD's eye-catchers. You can choose between the BOLD300 with legs and the BOLD400 on box.



WOOD

Thanks to sophisticated closure mechanism, the BOLD wood stove can be opened with a single push on the button. On the inside, its compact, vermiculite combustion chamber and its balanced air regulators allow for the highly efficient combustion process that you have come to expect from DOVRE.

Furthermore, the BOLD wood stoves successfully unite low particle emissions and a high output, guaranteeing maximum durability.

GENERAL SPECIFICATIONS

- Fuel: wood
- Nominal performance: 7,0 kW
- Ø Chimney flue connection: 150mm
- Location connection : on top or rear
- Length of logs: 35cm
- Connection outside air



BOLD300

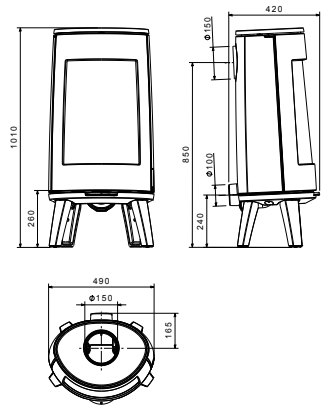


new

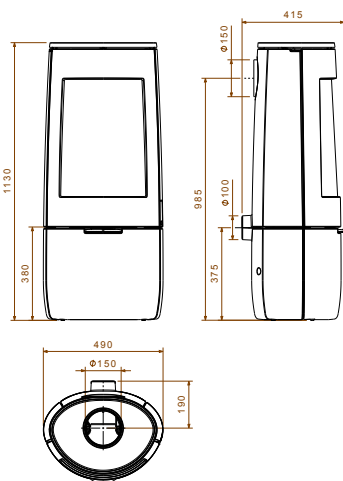
BOLD300:

Efficiency: >80%
WxHxD: 490x1010x420 mm

Design wood stove with legs and rounded glass.



Air control with disk rotation system (front) and an innovative closing mechanism (right).



new

BOLD400:

Efficiency: >80%
WxHxD: 490x1130x415 mm

Design wood stove with box and rounded glass.





SENSE403



SENSE

Beautiful combination of warmth and design

Elegant finish and flowing lines make Sense a very beautiful range, providing the perfect complement to modern interiors. Sense offers handsome design and stylish warmth with a gorgeous view of the fire.

- SENSE 113
- SENSE 100
- SENSE 103

- SENSE 200
- SENSE 203

- SENSE 300
- SENSE 303

- SENSE 400
- SENSE 403



WOOD



SENSE

Thanks to its most efficient low heat output and outside air connection, this modern family of woodburning stoves is exceptionally well suited to low energy homes.



WOOD

Sense comes in various sizes and you can also choose from 4 designs: on legs or box, with or without side glass. The enamelled versions come in different colours. Each version can easily be connected via top or rear flue exit.

GENERAL SPECIFICATIONS

SENSE113 / SENSE100 / SENSE103 / SENSE200 / SENSE203

- Length of logs: 33cm
- Nominal performance: 7,0kW
- Efficiency: 80%

SENSE300 / SENSE303 / SENSE400 / SENSE403

- Length of logs: 40cm
- Nominal performance: 9,0kW
- Efficiency: 80%

GENERAL SPECIFICATIONS

- Fuel: wood
- Ø Chimney flue connection: 150mm
- Location connection : on top or rear
- Connection outside air
- Black lacquered or enamel finish (E8: cream, E10: glossy black, E12: white white, E14: light grey)
- Compact, slim dimensions
- Versions with side glass: SENSE 113, SENSE 103, SENSE 203, SENSE 303, SENSE 403



SENSE303/E14

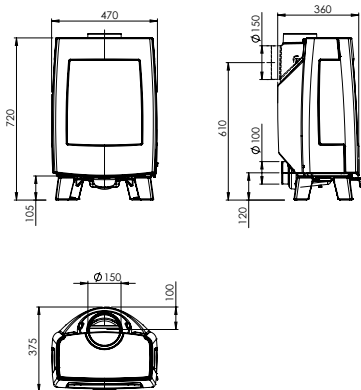
OPTION

- Enamelled chimney flue pipes (E8, E10, E12, E14)

SMALL OR LARGE SENSE?

The Sense series comes in various sizes:

SENSE 113	SENSE 100 AND 103	SENSE 200 AND 203	SENSE 300 AND 303	SENSE 400 AND 403
				
W: 470 mm H: 720 mm D: 360 mm	W: 470 mm H: 900 mm D: 360 mm	W: 470 mm H: 980 mm D: 360 mm	W: 555 mm H: 1010 mm D: 440 mm	W: 555 mm H: 1160 mm D: 440 mm



new

SENSE113:

Efficiency: 80%
WxHxD: 470x720x360 mm

Compact design wood stove with short legs.

E12



SENSE113/E12



SENSE100:

Efficiency: 80%
WxHxD: 470x900x360 mm

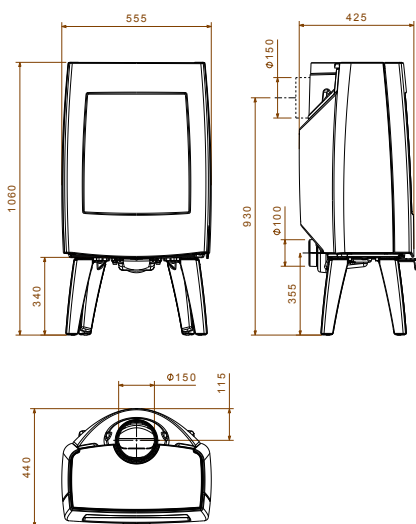
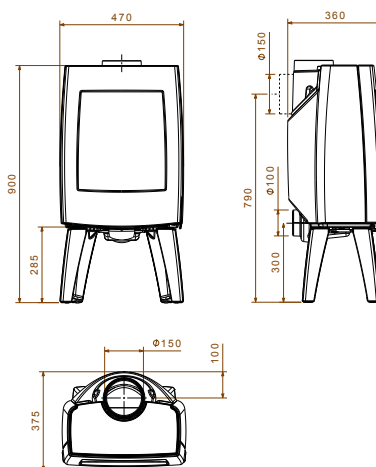
Compact design wood stove with legs.

SENSE103:

Efficiency: 80%
WxHxD: 470x900x360 mm

Compact design wood stove, 3-sided glass with legs.

E8 E10 E12 E14



SENSE300:

Efficiency: 80%
WxHxD: 555x1010x440 mm

Design wood stove with legs.

SENSE303:

Efficiency: 80%
WxHxD: 555x1010x440 mm

Design wood stove, 3-sided glass with legs.

E8 E10 E12 E14



SENSE



SENSE200:

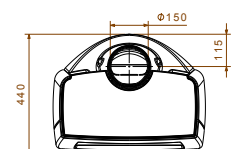
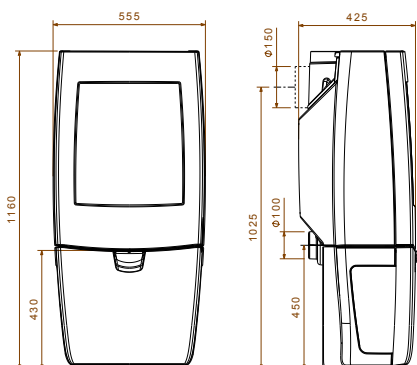
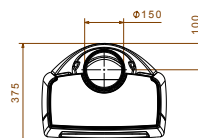
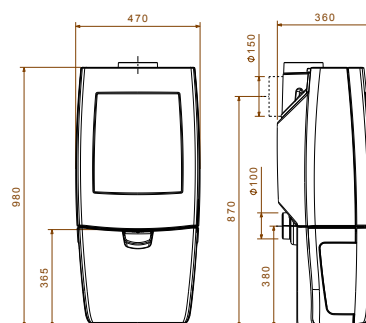
Efficiency: 80%
WxHxD: 470x980x360 mm

Compact design wood stove with box.

SENSE203:

Efficiency: 80%
WxHxD: 470x980x360 mm

Compact design wood, 3-sided glass with box.



SENSE400:

Efficiency: 80%
WxHxD: 555x1160x440 mm

Design wood stove with box.

SENSE403:

Efficiency: 80%
WxHxD: 555x1160x440 mm

Design wood stove, 3-sided glass with box.





SENSE400



VINTAGE50/E10



VINTAGE

Elegant, user-friendly and retro-chic

Discover "VINTAGE" here. This line of stoves featuring sophisticated design, exceptional heating performance and a nod to the retro trend is truly a unique addition. Available as wood burning or gas burning stove.

- VINTAGE 50
- VINTAGE 35
- VINTAGE 30

- VINTAGE 50TB
- VINTAGE 35TB
- VINTAGE 30TB

- VINTAGE 50WB
- VINTAGE 35WB
- VINTAGE 30WB

- VINTAGE 35CR
- VINTAGE 30CR

- VINTAGE50GA(P)
- VINTAGE35GA(P)

- VINTAGE50GA(P)/TB
- VINTAGE35GA(P)/TB

- VINTAGE50GA(P)/WB
- VINTAGE35GA(P)/WB

- VINTAGE35GA(P)/CR



WOOD



GAS



VINTAGE

The VINTAGE series consists of stoves in 3 different sizes: 50 - 35 - 30. A number of accessories are available for each model. VINTAGE can be supplied in an anthracite painted version and in enamelled finish. You can also choose between a woodburning or a gas burning VINTAGE (see following pages). Stylish design and a generous view of the flames makes this a truly valuable addition to your interior.



The characteristic shape of VINTAGE quickly catches the eye. These woodburning stoves offer an exceptionally high efficiency of 80% to 84%. Every model is available in both anthracite painted and enamelled finishes (white, green, grey or black).

GENERAL SPECIFICATIONS

VINTAGE30

- Length of logs: 30cm
- Nominal performance: 5,0kW
- Efficiency: 80,4%

VINTAGE35

- Length of logs: 35cm
- Nominal performance: 7,0kW
- Efficiency: 83%

VINTAGE50

- Length of logs: 50cm
- Nominal performance: 9,0kW
- Efficiency: 84,2%

OPTION

- Enamelled chimney flue pipes: (E8, E9, E10, E12, E14)



GENERAL SPECIFICATIONS

- Fuel: wood
- Ø Chimney flue connection: 150mm
- Location connection : on top or rear
- Connection outside air
- A majestic view of the flames
- Anthracite lacquered or enamel finish (E8: creamy white, E9: olive green, E10 glossy black, E12 white-white, E14 light grey)





VINTAGE50:

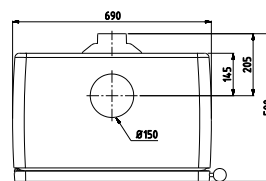
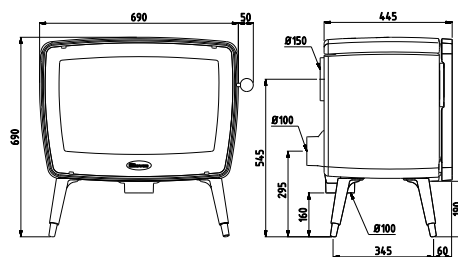
Efficiency: 84,2%
WxHxD: 690x690x445 mm

VINTAGE35:

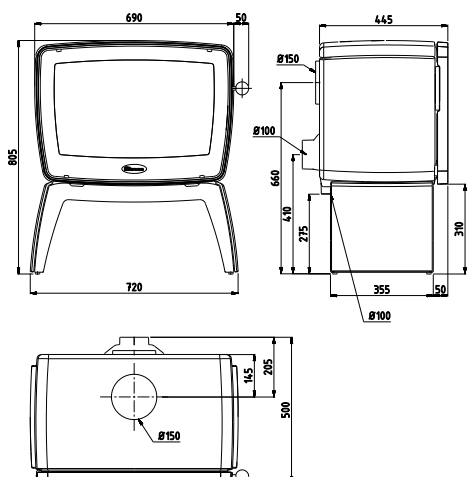
Efficiency: 83%
WxHxD: 505x685x445 mm

VINTAGE30:

Efficiency: 80,4%
WxHxD: 370x680x445 mm



Modern wood stove in retro design.



VINTAGE50TB:

Efficiency: 84,2%
WxHxD: 720x805x445 mm

VINTAGE35TB:

Efficiency: 83%
WxHxD: 535x800x445 mm

VINTAGE30TB:

Efficiency: 80,4%
WxHxD: 400x800x445 mm



Modern wood stove in retro design with tablet.



VINTAGE



VINTAGE50WB:

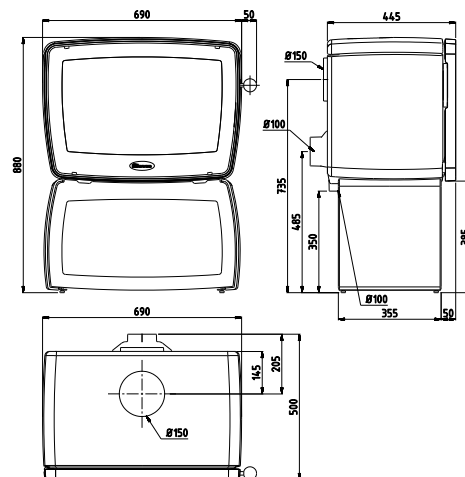
Efficiency: 84,2%
WxHxD: 690x880x445 mm

VINTAGE35WB:

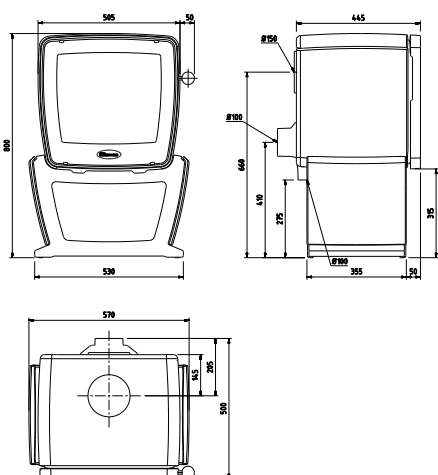
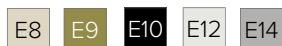
Efficiency: 83%
WxHxD: 505x875x445 mm

VINTAGE30WB:

Efficiency: 80,4%
WxHxD: 370x870x445 mm



Modern wood stove in retro design with woodbox.



VINTAGE35CR:

Efficiency: 83%
WxHxD: 570x800x445 mm

VINTAGE30CR:

Efficiency: 80,4%
WxHxD: 435x800x445 mm

Modern wood stove in retro design with cradle





VINTAGE
ALSO ON GAS
SEE NEXT PAGE

VINTAGE35/E12

VINTAGE

Our successful VINTAGE woodburning stoves are now being joined by VINTAGE gas stoves! VINTAGE/GA provides all the convenience of gas heating, plus high efficiency. Thanks to its remarkable design, the VINTAGE/GA fits in any interior, providing the same cosy flames as a woodburning stove.

Choose the VINTAGE50/GA or the VINTAGE35/GA, depending upon your needs. A number of accessories are available for each model. VINTAGE can be supplied in the anthracite painted version or with an enamelled finish (white, green, grey or black).

VINTAGE gas stoves can also be supplied in propane versions.

With its user-friendly, simple operation, your VINTAGE/GA will provide you with plenty of enjoyment and heat!



GAS



GENERAL SPECIFICATIONS VINT50GA

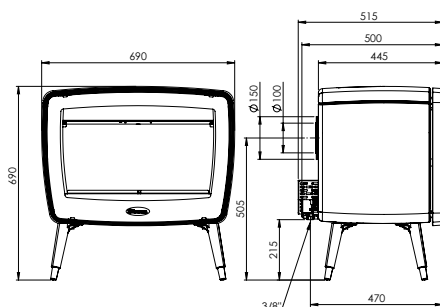
- Fuel: gas
- Type of gas appliance: C11/C31
- Nominal performance: 7,5 kW
- Nominal output: 8,7 kW
- Ø Chimney flue connection: 100/150mm
- Location connection : on top or rear
- Gas category: I2E+
- Type of gas: G20/G25

GENERAL SPECIFICATIONS VINT35GA

- Fuel: gas
- Type of gas appliance: C11/C31
- Nominal performance: 6,0 kW
- Nominal output: 7 kW
- Ø Chimney flue connection: 100/150mm
- Location connection : on top or rear
- Gas category: I2E+
- Type of gas: G20/G25

GENERAL SPECIFICATIONS VINTAGE GAS

- Combustion system: closed
- Also available as propane version (P), see technical data at the back of this catalog
- Remote control with electric ignition
- With legs as standard, also available on woodbox, tablet or cradle
- Anthracite lacquered or enamel finish (E8: creamy white, E9: olive green, E10 glossy black, E12 white-white, E14 light grey)



VINT50GA:

Efficiency: 88%
WxHxD: 690x690x445 mm

VINT35GA:

Efficiency: 86%
WxHxD: 505x685x445 mm

Modern gas stove in retro design, closed combustion system, natural gas, also available for propane.





VINT50GA/TB:

Efficiency: 88%
WxHxD: 720x805x445 mm

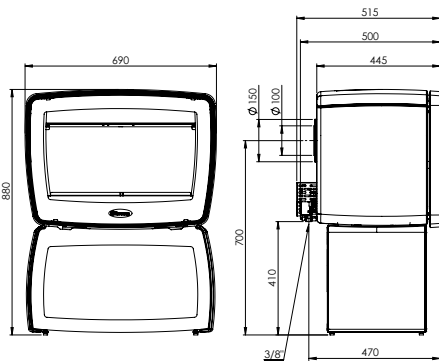
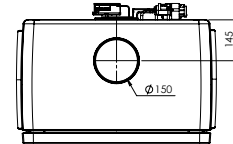
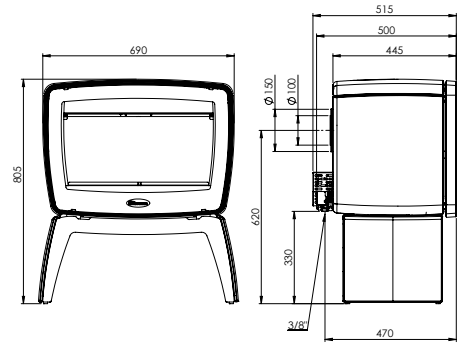
VINT35GA/TB:

Efficiency: 86%
WxHxD: 535x800x445 mm



Modern gas stove in retro design with tablet, closed combustion system, natural gas, also available for propane.

- E8
- E9
- E10
- E12
- E14



VINT50GA/WB:

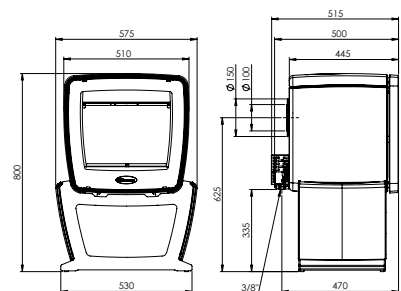
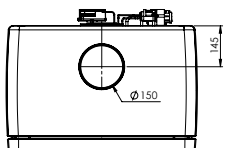
Efficiency: 88%
WxHxD: 690x880x445 mm

VINT35GA/WB:

Efficiency: 86%
WxHxD: 505x875x445 mm

Modern gas stove in retro design with woodbox, closed combustion system, natural gas, also available for propane.

- E8
- E9
- E10
- E12
- E14

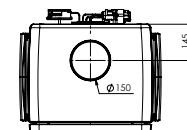


VINT35GA/CR: Efficiency: 86%

WxHxD: 575x800x445 mm

Modern gas stove in retro design with cradle, closed combustion system, natural gas, also available for propane.

- E8
- E9
- E10
- E12
- E14





TAI45M



TAI

High efficiency with a warmer feel

Discover TAI, a new generation of stoves for users of coal or wood and coal. Simplicity, reliability and heating technology characterize this new Dovre range.

- TAI35W
- TAI45WD
- TAI45W
- TAI45M
- TAI45C

- TAI55WD
- TAI55W
- TAI55M
- TAI55C



WOOD



COAL



BRIQUETTES



TAI

TAI is a complete family of wood, multi-fuel and coalburning stoves. With their attractive sober lines, they are quickly becoming a fixture in your living room. This new type of stove, using the familiar Dovre heating technology, guarantees cosy heat and top quality.

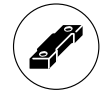
TAI is available in 3 sizes: TAI35 (for wood only), TAI45 and TAI55.



WOOD



COAL



BRIQUETTES

GENERAL SPECIFICATIONS TAI45

TAI45W

- Length of logs: 45cm
- Nominal performance: 9,0kW
- Efficiency: >80%

TAI45M

- Length of logs: 45cm
- Nominal performance: 9,0kW
- Efficiency: 75,3%

TAI45C

- Nominal performance: 9,0kW
- Efficiency: 79,5%

GENERAL SPECIFICATIONS TAI55

TAI55W

- Length of logs: 55cm
- Nominal performance: 11,0kW
- Efficiency: >80%

TAI55M

- Length of logs: 55cm
- Nominal performance: 11,0kW
- Efficiency: 75,3%

TAI55C

- Nominal performance: 11,0kW
- Efficiency: 78,2%

GENERAL SPECIFICATIONS TAI35, TAI45, TAI55

- Ø Chimney flue connection: 150mm
- Large removable coal funnel (up to 36 hours' supply)
- Thermostat
- Interior in cast iron and chamotte firebrick
- Black lacquered
- Overview of all TAI-versions:
 - W: wood stove without side door
 - WD: wood stove with side door
 - M: multi-fuel wood and coal stove with side door
 - C: wood stove without side door

GENERAL SPECIFICATIONS TAI35W

- Length of logs: 35cm
- Nominal performance: 6,5kW
- Efficiency: 81,4%

OPTION

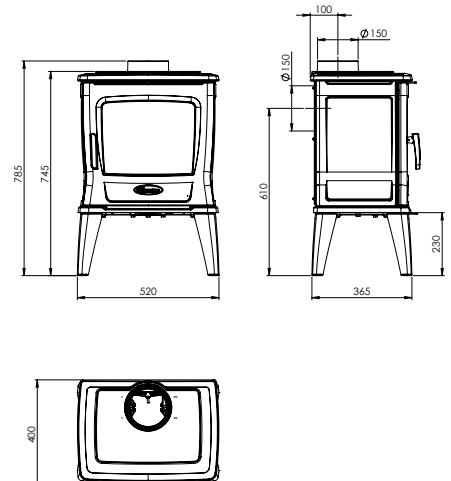
- Cooking plate for M or C versions
- Ornamental cover for M versions
- Short legs (100mm lower)



TAI35W:

Efficiency: 81,4%
WxHxD: 520x785x400 mm

Ageless wood stove.



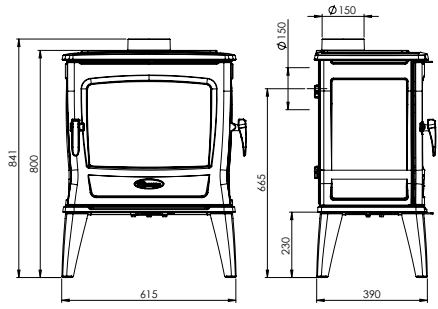
NEW



TAI45WD:

Efficiency: >80%
WxHxD: 615x800x430 mm

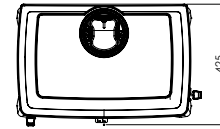
Ageless wood stove with side loading door.



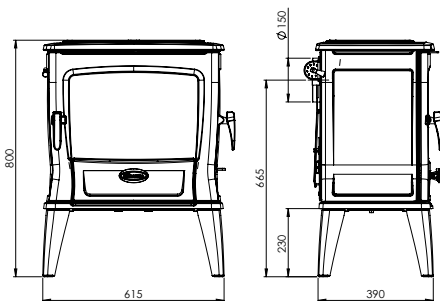
TAI45W:

Efficiency: >80%
WxHxD: 615x800x430 mm

Ageless wood stove.



TAI45C



TAI45M:

Efficiency: 75,3%
WxHxD: 615x800x465 mm

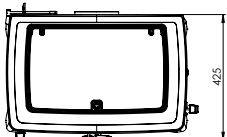
Ageless multi-fuel stove with funnel and side loading door.



TAI45C:

Efficiency: 79,5%
WxHxD: 615x800x465 mm

Ageless coal stove with funnel.



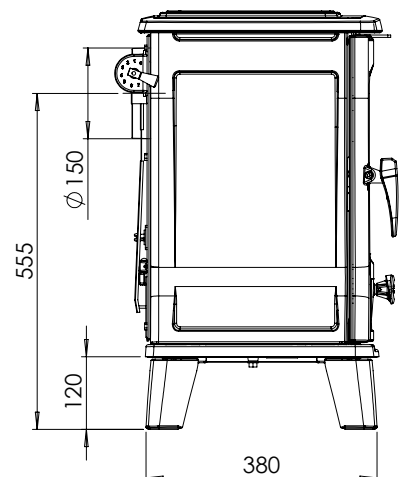


TAI45W



new

In option: 'short legs'



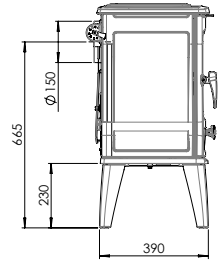
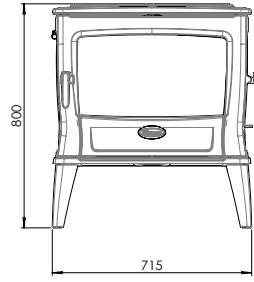
new



TAI55WD:

Efficiency: >80%
WxHxD: 715x800x430 mm

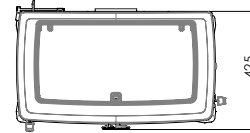
Ageless wood stove with side loading door.



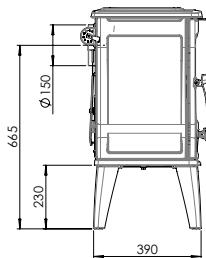
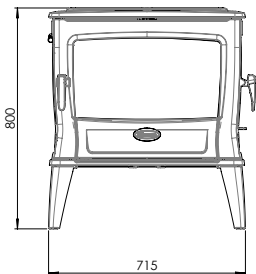
TAI55W:

Efficiency: >80%
WxHxD: 715x800x430 mm

Ageless wood stove.



TAI55M WITH COOKING PLATE AND ORNAMENTAL COVER



TAI55M:

Efficiency: 75,3%
WxHxD: 715x800x465 mm

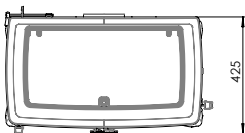
Ageless multi-fuel stove with funnel and side loading door.



TAI55C:

Efficiency: 78,2%
WxHxD: 715x800x465 mm

Ageless coal stove with funnel.





ASTRO4CB/P



ASTRO

Functional design

The ASTRO family is a familiar series in Dovre's range of high quality stoves. Their functional design means that Astro stoves fit harmoniously into any interior.

ASTRO 4

- ASTRO4CB/WB
- ASTRO4MF/WB
- ASTRO4CBWBSC
- ASTRO4MFWBSC
- ASTRO4CB/P
- ASTRO4MF/P



WOOD



COAL



BRIQUETTES

- ASTRO4GA/P
- ASTRO4GAP/P
- ASTRO4GAO/P
- ASTRO4GA/WB
- ASTRO4GAP/WB
- ASTRO4GAO/WB



GAS

ASTRO 3

- ASTRO3CB/WB
- ASTRO3MF/WB
- ASTRO3CB/P
- ASTRO3MF/P



WOOD



COAL



BRIQUETTES

ASTRO 2

- ASTRO2/L
- ASTRO2/L-BL
- ASTRO2/L-GLB
- ASTRO2/L-GLT

- ASTRO2/WB
- ASTRO2WB-GLB
- ASTRO2WB-GLT

- ASTRO2/P
- ASTRO2/P-GLB
- ASTRO2/P-GLT



WOOD



ASTRO4

ASTRO 4 can be recognized by the flat side glass. This modern series of stoves has a large front glass and two high side glasses, giving a perfect view over the play of the flames.

This series is available as a woodburner (CB) or multi-fuel stove (MF). On the following pages you can find the gas version "ASTRO4GA(O)(P)".



WOOD



COAL



BRIQUETTES

GENERAL SPECIFICATIONS

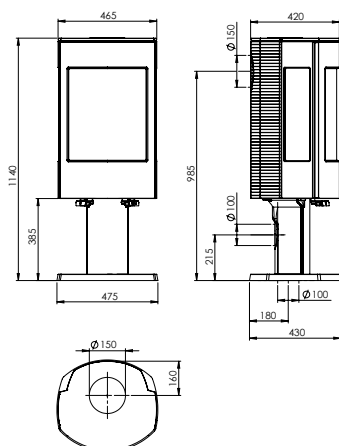
- Nominal performance: 8,0kW
- Ø Chimney flue connection: 150mm
- Location connection : on top or rear
- Length of logs: 25cm
- Fuel ASTRO4CB: wood
- Fuel ASTRO4MF: wood, coal and lignite briquettes
- Connection for outside air through the pedestal or woodbox
- Steel floor plate included with soapstone versions (ASTRO4CBWBSC and ASTRO4MFWBSC)
- Anthracite lacquered



ASTRO4CB/WB-SC

OPTION

- ASTRO4 floor plate, in transparent glass or steel (W x D = 610 x 383 mm).



ASTRO4CB/P:

Efficiency: 76,4%
WxHxD: 475x1140x430 mm

Wood stove with flat side glass and pedestal.

ASTRO4MF/P:

Efficiency: 76,7%
WxHxD: 475x1140x430 mm

Multi-fuel stove with flat side glass and pedestal.





ASTRO4CB/WB:

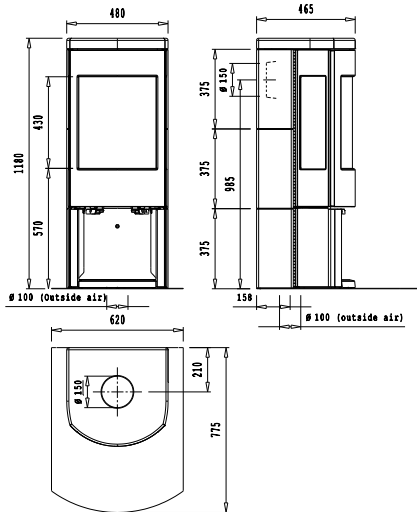
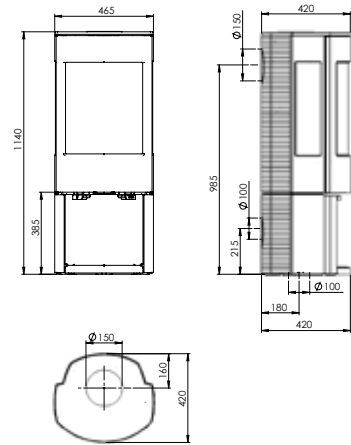
Efficiency: 76,4%
WxHxD: 475x1140x420 mm

Wood stove with flat side glass and woodbox.

ASTRO4MF/WB:

Efficiency: 76,7%
WxHxD: 475x1140x420 mm

Multi-fuel stove with flat side glass and woodbox.



ASTRO4CBWBC:

Efficiency: 76,4%
WxHxD: 480x1180x465 mm

Wood stove with flat side glass, woodbox and soapstone surrounding (floor plate included).

ASTRO4MFWBC:

Efficiency: 76,7%
WxHxD: 480x1180x465 mm

Multi-fuel stove with flat side glass, woodbox and soapstone surrounding (floor plate included).



ASTRO4 is also available in a multi-fuel version (MF). This version is equipped with a riddling grate..

ASTRO4GA

The Dovre ASTRO4 gas offers you all the convenience of gas heating with a high efficiency (87%), the atmosphere and the pleasure of watching the flames in a woodburning stove.

This modern gas stove features a large front glass and 2 high side glasses offering a perfect view of the gorgeous thermostatically adjustable flames from all around the unit!

Available versions: closed combustion (GA), open combustion (GAO) and propane closed combustion (GAP).



GENERAL SPECIFICATIONS ASTRO4GA/P

- Fuel: gas
- Type of gas appliance: C11/C31
- Nominal performance: 7,0 kW
- Nominal output: 8 kW
- Ø Chimney flue connection: 100/150mm
- Location connection : on top or rear
- Gas category: I2E+
- Type of gas: G20/25

GENERAL SPECIFICATIONS ASTRO4GAO/P

- Fuel: gas
- Type of gas appliance: B11BS
- Nominal performance: 6,0 kW
- Nominal output: 7 kW
- Ø Chimney flue connection: 125-130mm
- Location connection : on top or rear
- Gas category: I2E+
- Type of gas: G20/25

GENERAL SPECIFICATIONS ASTRO4 GAS

- The data given here are for natural gas. Also available in a propane version (ASTRO4GAP/P and ASTRO4GAP/WB). For technical characteristics see at the back of this catalog
- Remote control
- Anthracite lacquered



ASTRO4GA/P:

Efficiency: 87%
WxHxD: 475x1140x430 mm

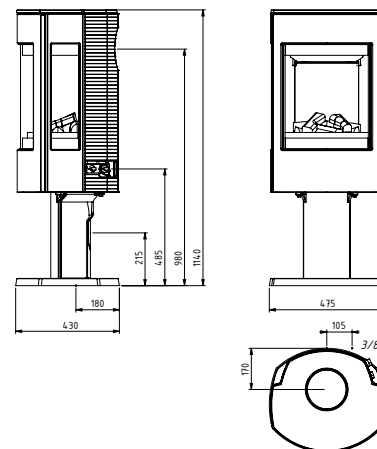
Gas stove with pedestal, natural gas.

ASTRO4GAP/P:

Efficiency: 74,3%
WxHxD: 475x1140x430 mm

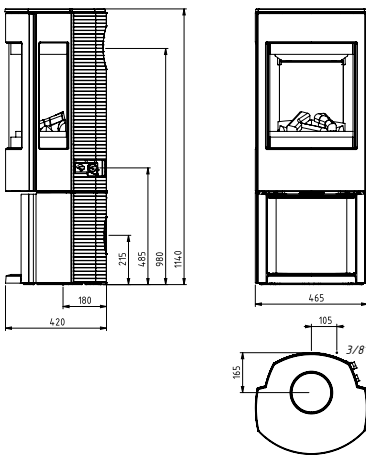
ASTRO4GAO/P:

Efficiency: 85,1%
WxHxD: 475x1140x430 mm





ASTRO4GA



ASTRO4GA/WB:

Efficiency: 87%
WxHxD: 465x1140x420 mm

Gas stove with woodbox, natural gas.

ASTRO4GAP/WB:

Efficiency: 74,3%
WxHxD: 465x1140x420 mm

ASTRO4GAO/WB:

Efficiency: 85,1%
WxHxD: 465x1140x420 mm



ASTRO3

ASTRO3 can be recognized by the prismatic side glass. This series is available in a woodburning version (CB) and a multi-fuel version (MF). ASTRO has a large front glass and 2 high side glasses.



WOOD



COAL



BRIQUETTES

GENERAL SPECIFICATIONS

- Nominal performance: 8,0kW
- Ø Chimney flue connection: 150mm
- Location connection : on top or rear
- Length of logs: 25cm
- Fuel ASTRO3CB: wood
- Fuel ASTRO3MF: wood, coal and lignite briquettes
- Connection for outside air through the pedestal or woodbox
- Anthracite lacquered



ASTRO3CB/WB

OPTION

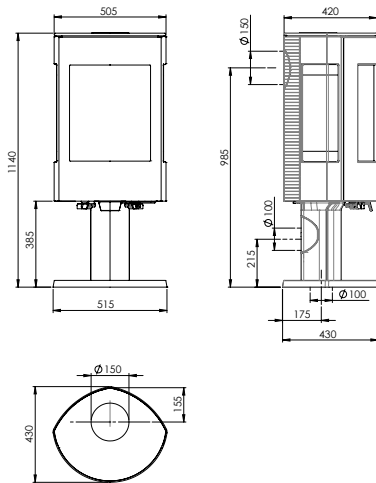
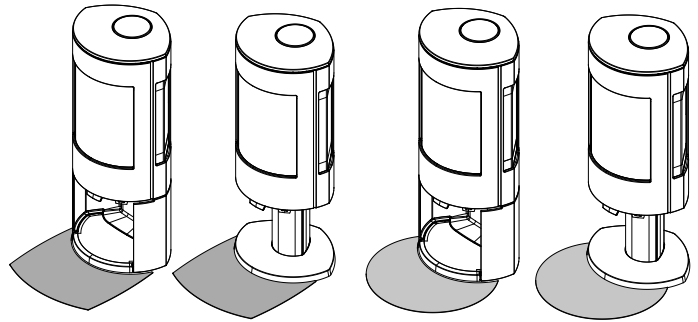
- ASTRO3 floor plates, in transparent glass or steel, round or angled.

FPS3.2: angled (steel): WxD = 514 x 457 mm

FPG3.2: angled (glass): WxD = 514 x 441 mm

FPS3.1: round (steel): WxD = 572 x 447 mm

FPG3.1: round (glass): WxD = 572 x 443 mm



ASTRO3CB/P:

Efficiency: 76,4%

WxHxD: 515x1140x420 mm

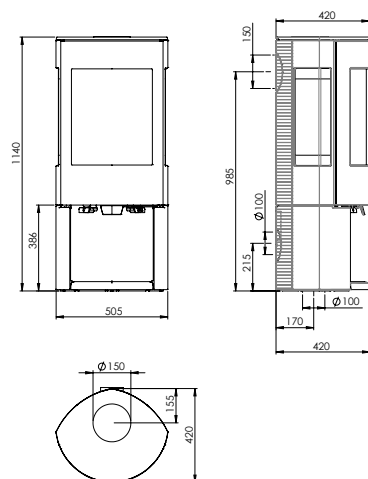
Wood stove with prismatic side glass and pedestal.

ASTRO3MF/P:

Efficiency: 76,7%

WxHxD: 515x1140x420 mm

Multi-fuel stove with prismatic side glass and pedestal.



ASTRO3CB/WB:

Efficiency: 76,4%

WxHxD: 515x1140x420 mm

Wood stove with prismatic side glass and woodbox.

ASTRO3MF/WB:

Efficiency: 76,7%

WxHxD: 515x1140x420 mm

Multi-fuel stove with prismatic side glass and woodbox.



ASTRO2

ASTRO2 offers you a choice of different base styles: woodbox, pedestal or legs. You can also embellish the premium grade, durable cast iron with a top plate and side panels in black glass. For the model on legs there is also a version with black painted steel side panels.



WOOD

GENERAL SPECIFICATIONS

- Fuel: wood
- Nominal performance: 7,0kW
- Ø Chimney flue connection: 150mm
- Location connection : on top or rear
- Length of logs: 30cm
- Connection for outside air trough pedestal or woodbox
- Anthracite lacquered

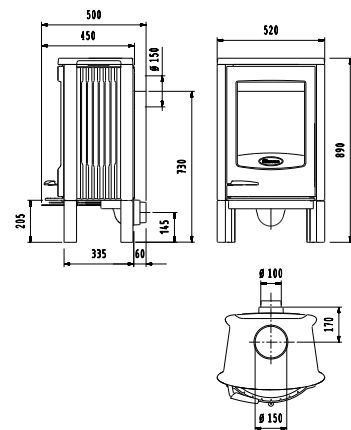
Version on legs



ASTRO2/L:

Efficiency: 79,4%
WxHxD: 520x890x450 mm

Wood stove with legs.



ASTRO2/L-BL:

Efficiency: 79,4%
WxHxD: 520x890x450 mm

Wood stove with legs, black painted sheet metal side panels.



ASTRO2/L-GLB:

Efficiency: 79,4%
WxHxD: 530x890x450 mm

Wood stove with legs, side panels and top plate in black glass, rear connection.



ASTRO2/L-GLT:

Efficiency: 79,4%
WxHxD: 530x890x450 mm

Wood stove with legs, side panels and top plate in black glass, top connection.

Version on woodbox



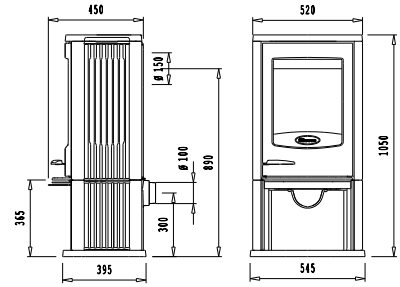
ASTRO2/WB:

Efficiency: 79,4%
WxHxD: 545x1050x450 mm

Wood stove with woodbox.

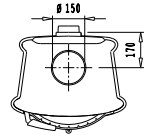
ASTRO2/WB-GLB:

Efficiency: 79,4%
WxHxD: 545x1050x450 mm



ASTRO2/WB-GLT:

Efficiency: 79,4%
WxHxD: 545x1050x450 mm

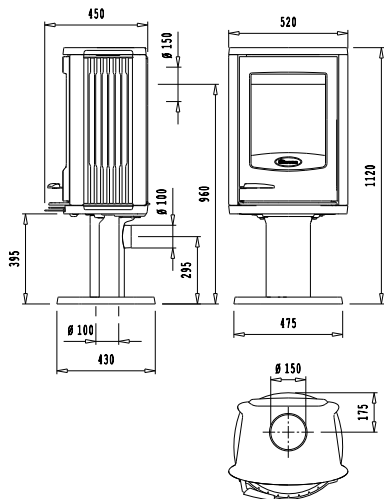


ASTRO2/WB-GLB



ASTRO2/WB-GLT

Version on pedestal



ASTRO2/P:

Efficiency: 79,4%
WxHxD: 520x1120x450 mm

Wood stove with pedestal.

ASTRO2/P-GLB:

Efficiency: 79,4%
WxHxD: 530x1120x450 mm

ASTRO2/P-GLT:

Efficiency: 79,4%
WxHxD: 530x1120x450 mm



ASTRO2/P-GLB

ASTRO2/P-GLT

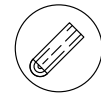


760

Rustic wood burning stove with optimal efficiency

Rustic stove with full glass door with airwash system, side loading door and separate ashpan door.

- 760CB
- 760GM
- 760GK



WOOD



COAL



BRICQUETTES



640CB/E6



760GM/E10

640

Warmth, simplicity and comfort

Rustic stove with full glass door with airwash system, side loading door and separate ashpan door. The 640 is the smaller version of the 760.

- 640CB
- 640GM
- 640GK



WOOD



COAL



BRIQUETTES



760

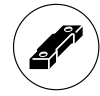
The 760CB rustic woodburning stove combines the warmth and comfort of a wood fire with the timeless elegance and the high efficiency of a durable cast iron stove. This woodburning stove with full glass door and airwash system is also easy to use because of its side loading door and separate ashpan door. You can choose between a woodburning stove (CB), multi-fuel stove (GM) or coal stove (GK).



WOOD



COAL



BRIQUETTES

GENERAL SPECIFICATIONS

760CB

- Length of logs: 60cm
- Nominal performance: 11,0kW
- Efficiency: 78%

760GM

- Length of logs: 40cm
- Nominal performance: 11,0kW
- Efficiency: 82,8%

760GK

- Nominal performance: 11,0kW
- Efficiency: 83%

OPTION

- Cooking plate (for GM: multi-fuel stove): KP760
- Coal funnel (already supplied with GK: coal stove): BUNK760
- Enamel versions: E6 (majolica brown), E8 (creamy white) or E10 (glossy black)
- Enamelled chimney flue pipes: (E6, E8, E10)
- Connection for outside air: outside air kit: AIRKIT-K01

GENERAL SPECIFICATIONS

- Ø Chimney flue connection: 150mm
- Location connection : on top or rear
- Fuel: wood, multi-fuel (wood, coal, lignite briquettes) or coal
- Thermostat on GM and GK
- Anthracite lacquered



760CB/E8

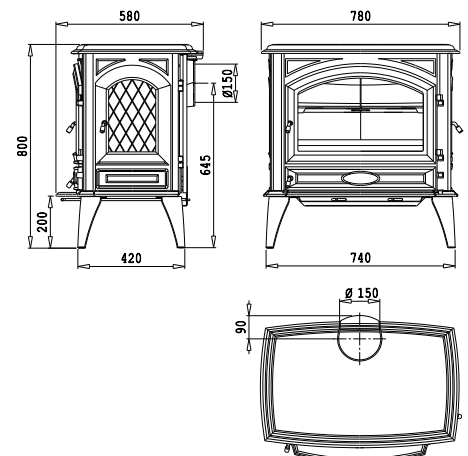


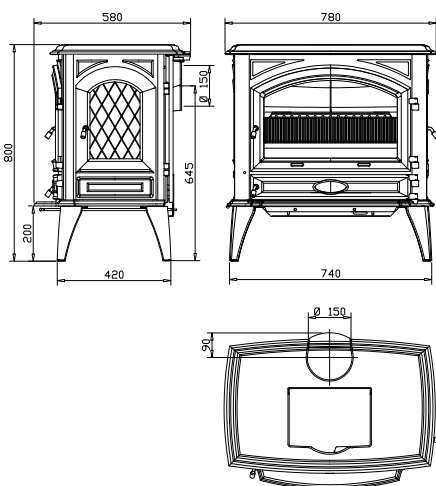
760CB:

Efficiency: 78%
WxHxD: 780x800x580 mm

Rustic wood stove with side loading door.

E6 E8 E10





760GM:

Efficiency: 82,8%
WxHxD: 780x800x580 mm

Rustic multi-fuel stove with side loading door.

760GK:

Efficiency: 83%
WxHxD: 780x800x580 mm

Rustic coal stove with funnel and side loading door.



760GK

E6 E8 E10



Cooking plate for multi-fuel stove

Lid in top plate for multi-fuel or coal version



640

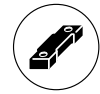
Dovre's 640CB free standing woodburning stove is a rustic stove with side loading door, built from strong, durable cast iron for optimal performance. Add to that the easy operation thanks to the side loading door, the traditional exterior and impressive environmental performance, and this woodburning stove soon becomes the perfect place to sit around for a chat or to read! Also available as multi-fuel (GM) or coal stove (GK).



WOOD



COAL



BRIQUETTES

GENERAL SPECIFICATIONS

640CB

- Length of logs: 50cm
- Nominal performance: 9,0kW
- Efficiency: 75,2%

640GM

- Length of logs: 40cm
- Nominal performance: 9,0kW
- Efficiency: 77,5%

640GK

- Nominal performance: 9,0kW
- Efficiency: 78,3%

GENERAL SPECIFICATIONS

- Ø Chimney flue connection: 150mm
- Location connection : on top or rear
- Fuel: wood, multi-fuel (wood, coal, lignite briquettes) or coal
- Thermostat on GM and GK
- Anthracite lacquered

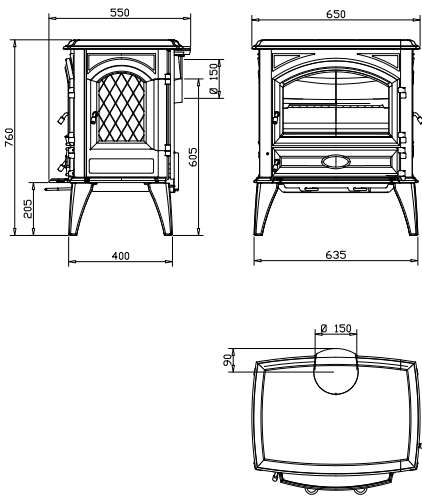
Coal stove with coal funnel



OPTION

- Coal funnel (already supplied with GK: coal stove): BUNK640
- Enamel versions: E6 (majolica brown), E8 (creamy white) or E10 (glossy black)
- Enamelled chimney flue pipes: (E6, E8, E10)
- Connection for outside air: outside air kit: AIRKIT-K01





640CB:

Efficiency: 75,2%
WxHxD: 650x760x550 mm

Rustic wood stove with side loading door. Smaller version of 760CB.

E6 E8 E10

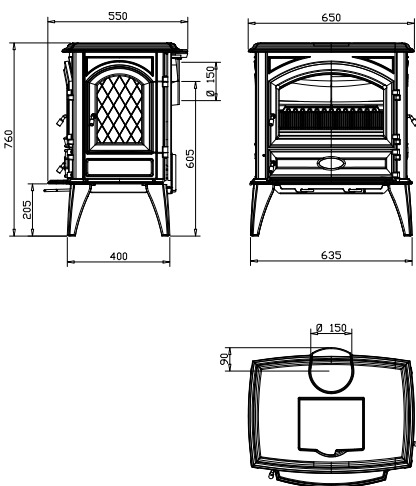
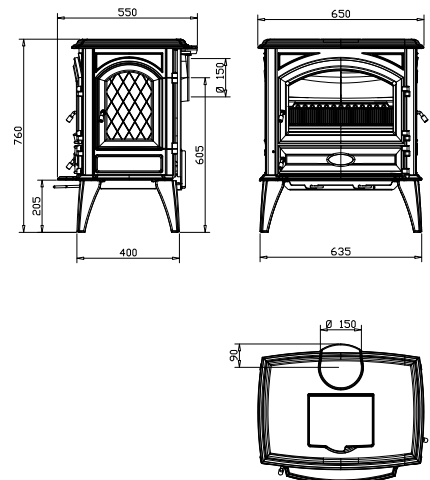


640GM:

Efficiency: 77,5%
WxHxD: 650x760x550 mm

Rustic multi-fuel stove with side loading door. Smaller version of 760GM.

E6 E8 E10



640GK:

Efficiency: 78,3%
WxHxD: 650x760x550 mm

Rustic coal stove with funnel and side loading door. Smaller version of 760GK.

E6 E8 E10



BRUT

This solid, no-nonsense stove is synonymous with an efficient combustion process and a high output, which is partially achieved through its flue system at the top as well as its primary and secondary outlets.



WOOD

BRUT's straightforward character is also reflected in its design: robust and unpretentious with a large, tall window that draws all attention to the flames.

The BRUT-wood stove is available in black-lacquered cast iron as standard but can also be ordered with a white enamel door.

GENERAL SPECIFICATIONS:

- Fuel: wood
- Nominal performance: 6,5 kW
- Ø Chimney flue connection: 150mm
- Location connection : on top
- Length of logs: 35cm
- Anthracite lacquered

OPTION

- Enamel versions: E12 (white-white)
- Enamelled chimney flue pipes: (E12)

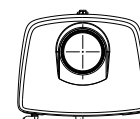
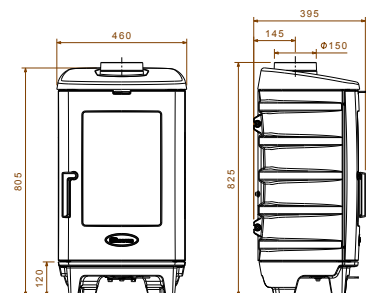


BRUT:

Efficiency: 78%
WxHxD: 460x825x395 mm

Wood stove with tall glass window.

E12





BRUT/E12



BRUT

525CB

Meet DOVRE's 525CB, a unique wood stove with an external air supply and an output of more than 80%, making it one of the most efficient heating devices in the market.

Because of its timeless look, the 525CB is the perfect fit for rustic and modern homes alike. Striking eye-catchers include the sturdy handle and the large glass window, which provides you with a magnificent view of the fire.



WOOD

GENERAL SPECIFICATIONS

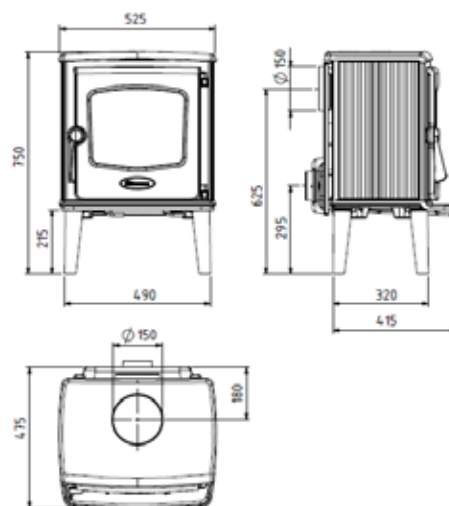
- Fuel: wood
- Nominal performance: 8,0 kW
- Ø Chimney flue connection: 150mm
- Location connection : on top or rear
- Length of logs: 40cm
- Connection outside air
- Efficiency: 80%
- Anthracite lacquered



NEW

525CB:
Efficiency: 80%
WxHxD: 525x750x475 mm

Ageless wood stove.



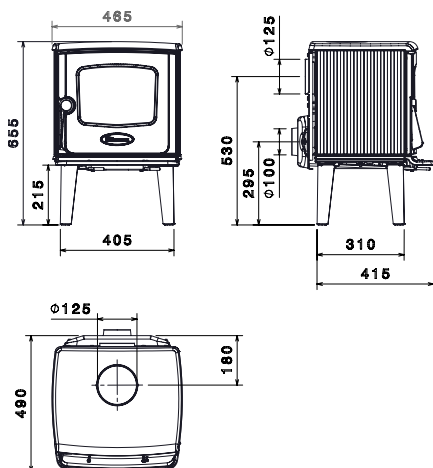
325CB



If you're interested in the DOVRE 525CB wood stove but find it slightly too big, the 325CB could be what you're looking for. Just like its big brother, the 325CB with external air supply is extremely efficient, boasting an output of more than 80%. Thanks to the flues at the top and bottom of the device, it is also very practical. The design of the DOVRE 325CB unites the best of past and present, displaying a unique look with subtle, light curves and a perfect finish.

GENERAL SPECIFICATIONS

- Fuel: wood
- Nominal performance: 6,0 kW
- Ø Chimney flue connection: 150mm
- Location connection : on top or rear
- Length of logs: 30cm
- Connection outside air
- Efficiency: 81%
- Anthracite lacquered



325CB:
Efficiency: 81%
WxHxD: 465x655x490 mm

Ageless wood stove.





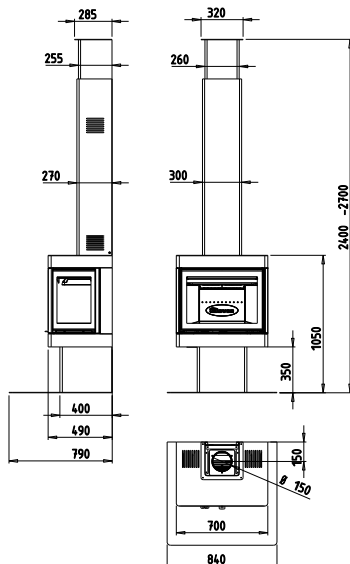
2575/3SEC



Cuddle up close to each other and get warm by the modern 2575/3SEC fireplace from Dovre. In the blink of an eye the 3-sided view reshapes your home into an attractive blend of warmth and design. This free standing version features maximum fire visibility. The steel plate shell gives a clean, modern look.

GENERAL SPECIFICATIONS 2575/3SEC

- Fuel: wood
- Nominal performance: 10,0kW
- Ø Chimney flue connection: 150mm
- Location connection : on top
- Length of logs: 50cm
- Connection outside air
- Chimney connection: on top (adjustable in height)
- Free standing fireplace with steel plate shell
- Sheet steel floor plate included
- Black lacquered



2575/3SEC:

Efficiency: 75,9%

WxHxD: 700x2400-2700x490 mm

Free standing wood fireplace, 3 sided, sheet metal surrounding.



350 & 360

Do you want modern design in a stove that is not too high? Then our models 360CB and 350CB are what you are looking for! The CB3 versions have side glasses so you can see the flames from 3 sides.

The versions without side glass have adjustable legs!



WOOD

GENERAL SPECIFICATIONS

- Fuel: wood
- Ø Chimney flue connection: 125mm
- Location connection : on the side, on top or rear



350CB3:

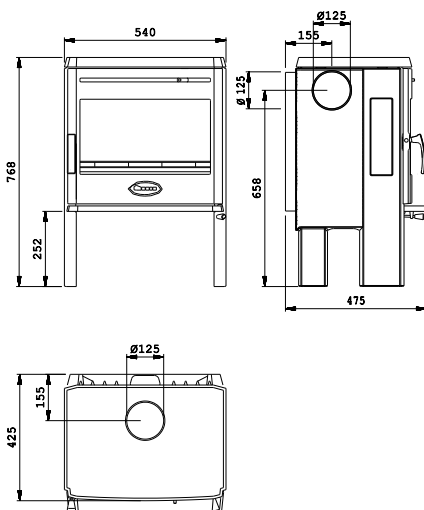
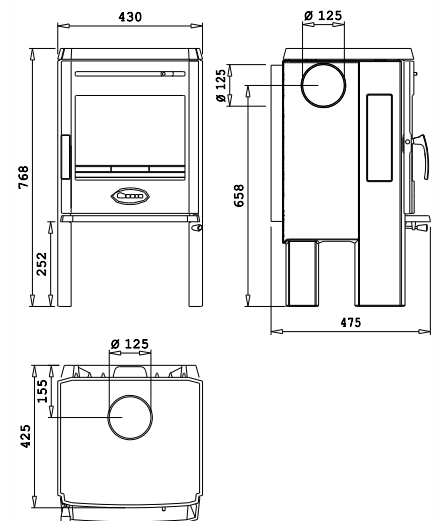
Efficiency: 77%
WxHxD: 430x768x475 mm

Low, compact wood stove, 3-sided glass.

350CB:

Efficiency: 77%
WxHxD: 430x715-775x475 mm

Low, compact wood stove with adjustable legs (200-260mm).



360CB3:

Efficiency: 75%
WxHxD: 540x768x475 mm

Low, compact wood stove, 3-sided glass.

360CB:

Efficiency: 75%
WxHxD: 540x715-775x475 mm

Low, compact wood stove with adjustable legs (200-260mm).



2175CB3/SC



The large free standing fireplace 2175CB3/SC offers you the unique heating characteristics of soapstone. The three-sided glass ensures maximum fire visibility. Soapstone has the ability to absorb heat quickly and release it slowly, even long after the fire has gone out.

GENERAL SPECIFICATIONS

- Fuel: wood
- Nominal performance: 10,0kW
- Ø Chimney flue connection: 150mm
- Length of logs: 50cm
- Connection outside air
- Chimney flue location: top or rear connection
- Free standing fireplace with soapstone mantle
- Sheet steel floor plate included
- Black lacquered

An eye-catcher featuring stunning soapstone



2175CB3/SCB:

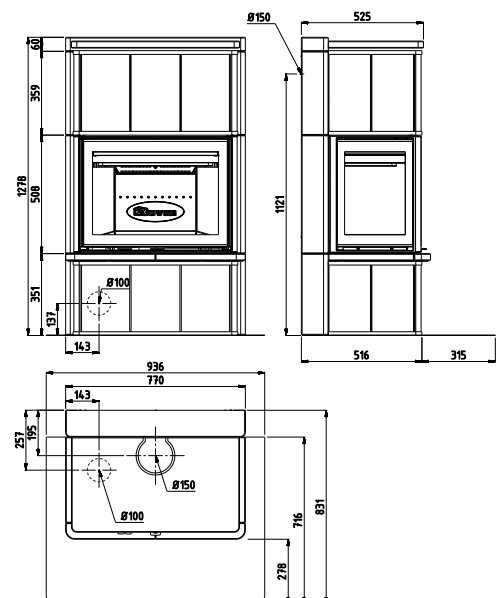
Efficiency: 75,9%
WxHxD: 770x1280x525 mm

Free standing wood fireplace,
3-sided glass with soapstone
surrounding, rear connection.

2175CB3/SCT:

Efficiency: 75,9%
WxHxD: 770x1280x525 mm

Free standing wood fireplace,
3-sided glass with soapstone
surrounding, top connection.



750

Rustic stove with full glass door with airwash system and side loading door.
Available as woodburning stove (GH), multi-fuel stove (GM) or gas stove (GA or GAP)



WOOD



COAL



BRIQUETTES



GAS

GENERAL SPECIFICATIONS

750GH

- Length of logs: 50cm
- Nominal performance: 9,0kW
- Efficiency: 75%

750GM

- Length of logs: 50cm
- Nominal performance: 9,0kW
- Efficiency: 78,2%

GENERAL SPECIFICATIONS 750GH & 750GM

- Ø Chimney flue connection: 150mm
- Location connection : on top or rear

GENERAL SPECIFICATIONS 750GA

- Fuel: gas
- Type of gas appliance: B11BS
- Nominal performance: 9,0 kW
- Nominal output: 10,5 kW
- Ø Chimney flue connection: 100mm
- Location connection : rear
- Gas category: I2E+
- Type of gas: G20/G25
- The data given are for natural gas. Also available in a propane version (750GAP). For technical characteristics see at the back of this catalog.
- Anthracite lacquered



750GH:

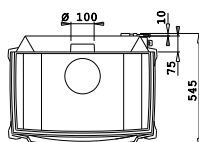
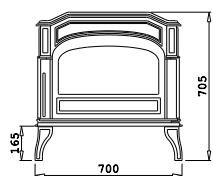
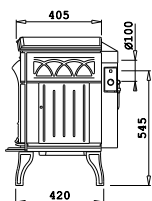
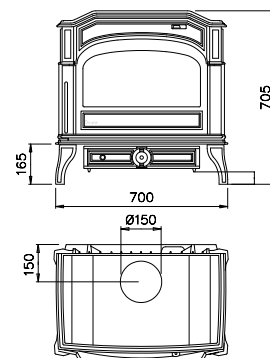
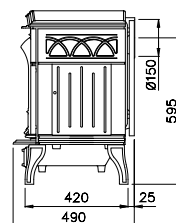
Efficiency: 75%
WxHxD: 700x705x490 mm

Rustic wood stove with side loading door.

750GM:

Efficiency: 78,2%
WxHxD: 700x705x490 mm

Rustic multi-fuel stove with side loading door.



750GA:

Efficiency: 85,4%
WxHxD: 700x705x545 mm

Rustic gas stove, natural gas, also available for propane.



725GA



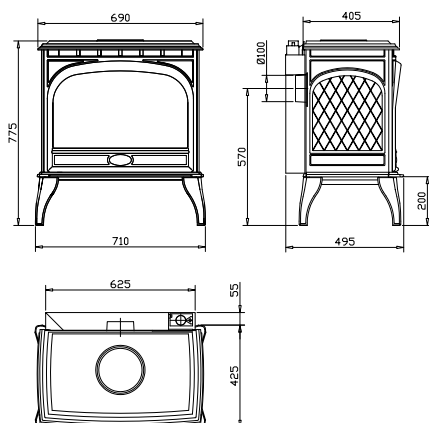
The Dovre 725GA gas stove is no stranger to high performance. High efficiency, safe heat production and dual burner. You control the background burner manually, while the main burner is thermostatic. The traditional 725GA gas stove does everything you need for a stylish extra in your interior. The extra large glass gives an even better view of the flickering flames!

GENERAL SPECIFICATIONS 725GA

- Fuel: gas
- Type of gas appliance: B11BS
- Nominal performance: 9,0 kW
- Nominal output: 10 kW
- Ø Chimney flue connection: 100mm
- Location connection : rear
- Gas category: I2E+
- Type of gas: G20/G25
- The data given are for natural gas. Also available in a propane version (725GAP). For technical characteristics see at the back of this catalog
- Anthracite lacquered

OPTION

- Enamel versions: E6 (majolica brown), E8 (creamy white) or E10 (glossy black)



725GA:

Efficiency: 86,1%
WxHxD: 710x775x495 mm

Rustic gas stove, natural gas, also available for propane.

E6 E8 E10



250

Small rustic stove with full glass door with airwash system. Available as woodburning stove or multi-fuel stove.

- 250CB: woodburning stove
- 250CBN: woodburning stove with Norwegian door (bars)
- 250: multi-fuel stove



WOOD



COAL



BRIQUETTES

GENERAL SPECIFICATIONS

- Length of logs: 30cm
- Ø Chimney flue connection: 125mm
- Location connection : on top or rear
- Anthracite lacquered



250CB



250CB:

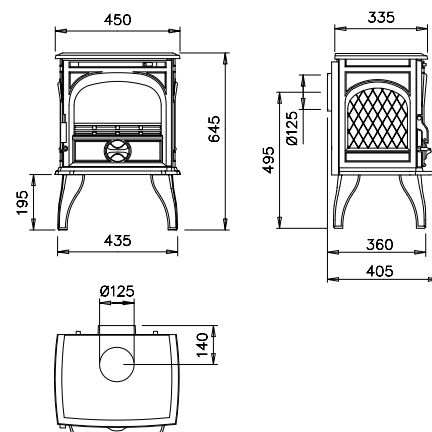
Efficiency: 83%
WxHxD: 455x645x405 mm

Small rustic wood stove.

250CBN:

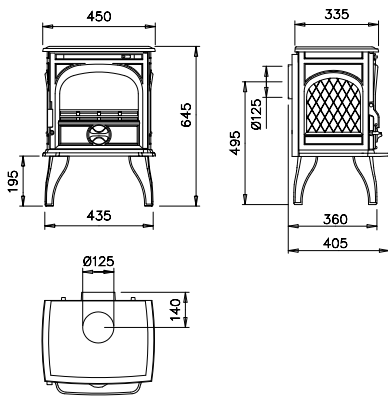
Efficiency: 83%
WxHxD: 455x645x405 mm

Small rustic wood stove with Norwegian door (with bars).





250CBN



250:

Efficiency: 81,7%
 WxHxD: 455x645x405 mm

Small rustic multi-fuel stove.



425

Get more than ever a fine view of the flames and choose this rustic stove! These stoves with adjustable legs are warmly recommended by Dovre. Available in wood (CB), multi-fuel (GM) and gas (GA) versions.



GENERAL SPECIFICATIONS 425CB & 425GM

- Nominal performance: 8,0kW
- Ø Chimney flue connection: 150mm
- Location connection : on top or rear
- Length of logs: 40cm
- Fuel CB: wood
- Fuel GM: wood, coal or lignite briquettes
- Adjustable legs
- Anthracite lacquered

OPTION

- Available in enamel versions: E6 (majolica brown), E8 (creamy white) or E10 (glossy black)
- Enamelled chimney flue pipes (E6, E8, E10)

GENERAL SPECIFICATIONS 425GA

- Fuel: gas
- Type of gas appliance: B11BS
- Nominal performance: 6,0 kW
- Nominal output: 7 kW
- Ø Chimney flue connection: 100mm
- Location connection : rear
- Gas category: I2E+
- Type of gas: G20/G25
- The data given are for natural gas. Also available in a propane version (425GAP). For technical characteristics see at the back of this catalog
- Anthracite lacquered



425CB:

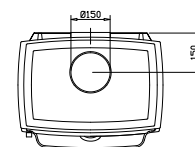
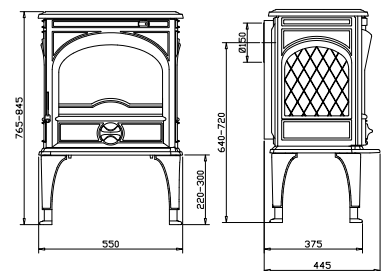
Efficiency: 78,8%
WxHxD: 550x765/845x445 mm

Rustic wood stove with adjustable legs.

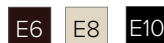
425GM:

Efficiency: 80,1%
WxHxD: 550x765/845x445 mm

Rustic multi-fuel stove with adjustable legs.

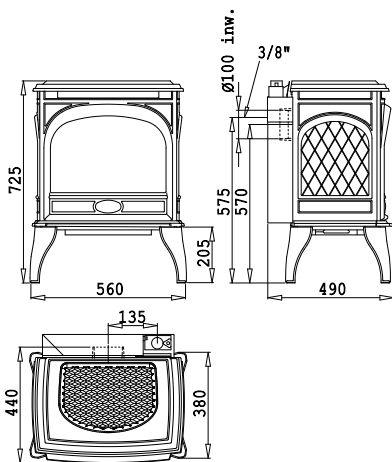


425GM/E10





425CB-E6



425GA:

Efficiency: 87,4%
 WxHxD: 560x725x450 mm

Rustic gas stove, natural gas, also available for propane.

- E6
- E8
- E10



550CB & 555GM

With the 550CB woodburning stove and 555GM multi-fuel stove you will be sitting pretty. These rustic stoves provide maximum performance. Their adjustable legs make it easy to alter the height. Also available in enamel finish (for 550CB enamel model without Norwegian glass door).



WOOD



COAL



BRIQUETTES

GENERAL SPECIFICATIONS 550CB

- Fuel: wood and lignite briquettes
- Nominal performance: 8,0kW
- Ø Chimney flue connection: 150mm
- Location connection : on top or rear
- Length of logs: 40cm
- Anthracite lacquered

GENERAL SPECIFICATIONS 555GM

- Fuel: wood, coals and lignite briquettes
- Nominal performance: 8,0kW
- Ø Chimney flue connection: 150mm
- Location connection : on top or rear
- Length of logs: 40cm
- Side loading door
- Anthracite lacquered

OPTION

- 550CB and 555GM are available in enamel versions: E6 (majolica brown), E8 (creamy white) or E10 (glossy black). Enamel finish of 550CB without Norwegian glass door.
- Enamelled chimney flue pipes (E6, E8, E10)

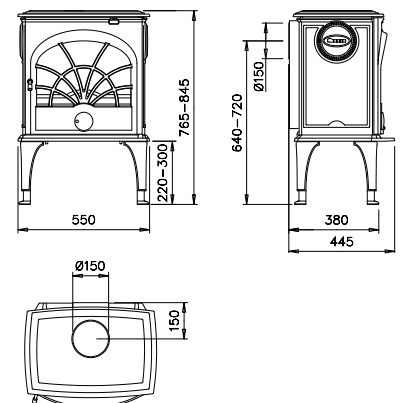


550CB:

Efficiency: 78,8%
WxHxD: 550x765/845x445 mm

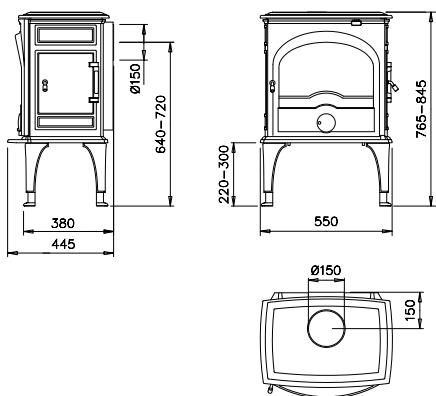
Rustic wood stove with Norwegian door (with bars), adjustable legs.

E6 E8 E10





555GM



555GM:

Efficiency: 80,1%
 WxHxD: 550x765/845x445 mm

Rustic multi-fuel stove with side loading door, adjustable legs.

- E6
- E8
- E10



310GX

The 310GX multi-fuel stove won't leave you out in the cold. With this rustic stove you can choose what to burn: wood, lignite briquettes or coal. Whatever you choose, the cosy warmth from the 310GX multi-fuel stove will not be quickly forgotten. The side loading door makes it easy to burn large logs. Many have already been convinced by its traditional design. You too?



WOOD



COAL



BRIQUETTES



GENERAL SPECIFICATIONS 310GX

- Fuel: wood, coals and lignite briquettes
- Nominal performance: 8,0kW
- Length of logs: 60cm
- Ø Chimney flue connection: 150mm (rear) or 125mm (top)
- Anthracite lacquered

OPTION

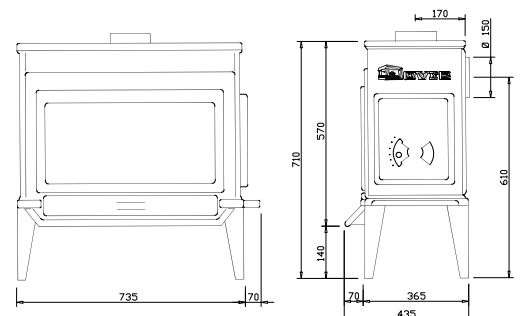
- "400" and "200" top sections for improved heat recovery



310GX:

Efficiency: 78,5%
WxHxD: 805x710x435 mm

Multi-fuel stove with side loading door.



40CBS



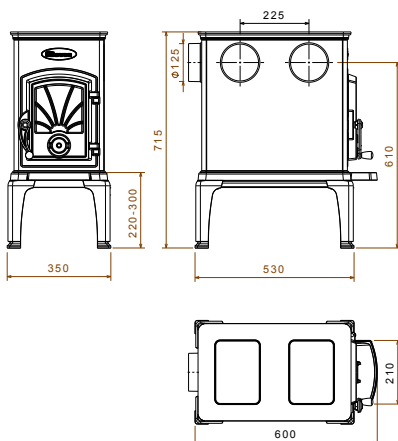
40CBS is a small compact wood burning stove with decorative Norwegian figures. Its adjustable legs make it easy to alter the stove height. The connection to the flue can be top, back or side. You can extend this stove still further using a top section for improved heat recovery or a cooking plate.

GENERAL SPECIFICATIONS 40CBS

- Fuel: wood
- Nominal performance: 6,0kW
- Ø Chimney flue connection: 125mm
- Location connection : on the side, on top or rear
- Length of logs: 40cm
- Anthracite lacquered

OPTION

- Cooking plate "KP"
- "5T" top section for improved heat recovery



40CBS:

Efficiency: 82,4%
WxHxD: 600x715/775x350 mm

Traditional wood stove with
Norwegian figures, adjustable legs.



100CBS - 300CB - 600

These traditional wood burning stoves with decorative Norwegian figures are burned into everyone's memory as symbols of domestic comfort and cosiness. Even without a view of the flames they take you back to the beginnings of wood heating. You experience the marvellous radiant heat thanks to the durable cast iron, the ideal heat conductor.



GENERAL SPECIFICATIONS 100CBS

- Fuel: wood
- Nominal performance: 5,0kW
- Ø Chimney flue connection: 125mm
- Location connection : on the side, on top or rear
- Length of logs: 35cm
- Anthracite lacquered

GENERAL SPECIFICATIONS 300CB

- Fuel: wood
- Nominal performance: 6,0kW
- Ø Chimney flue connection: 125mm
- Location connection : on the side, on top or rear
- Length of logs: 60cm
- Anthracite lacquered

GENERAL SPECIFICATIONS 600

- Fuel: wood
- Nominal performance: 6,0kW
- Ø Chimney flue connection: 125mm
- Location connection : on the side, on top or rear
- Length of logs: 40cm
- Anthracite lacquered



200: top section for 100CBS



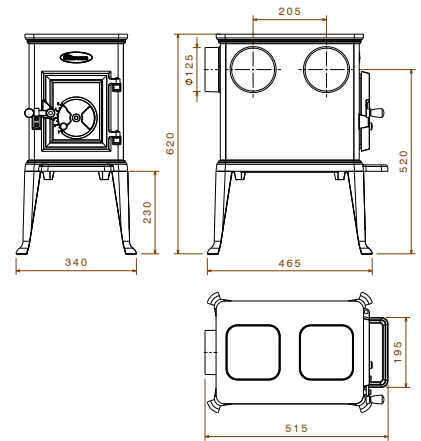
650: top section for 600



100CBS:

Efficiency: 76%
WxHxD: 515x620x340 mm

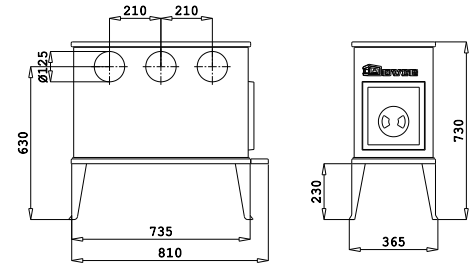
Traditional wood stove with Norwegian figures.



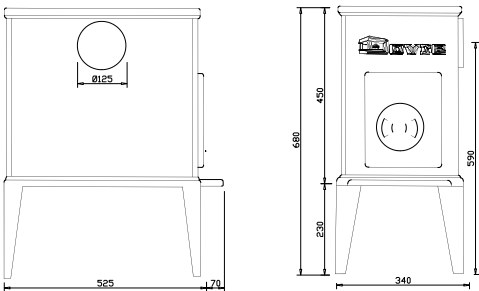
300CB:

Efficiency: 80%
WxHxD: 810x730x365 mm

Traditional wood stove with Norwegian figures.



top sections 200 and 400
for 300CB



600:

Efficiency: 80%
WxHxD: 595x680x340 mm

Traditional wood stove with Norwegian figures.



SONATA

For those in search of an efficient, decorative wood stove, look no further – you've found it. The Sonata wood stove in anthracite-lacquered cast iron will impress you with its unique look. Thanks to its intelligently designed, 3-sided glass, it offers a wonderful view of the fire. To answer to your practical needs, DOVRE also integrated a useful storage compartment for logs up to 30 cm long.



Additionally, this stove boasts an extremely advanced combustion technology, making it one of the most efficient, eco-friendly heaters on the market today. The Sonata is equipped with an outside air connection as well as chimney flue connection at the top and bottom of the stove.

GENERAL TECHNICAL SPECIFICATIONS

- Fuel: wood
- Nominal performance: 7,0 kW
- Ø Chimney flue connection: 150mm
- Location connection : on top or rear
- Length of logs: 30cm
- Connection outside air
- Anthracite lacquered

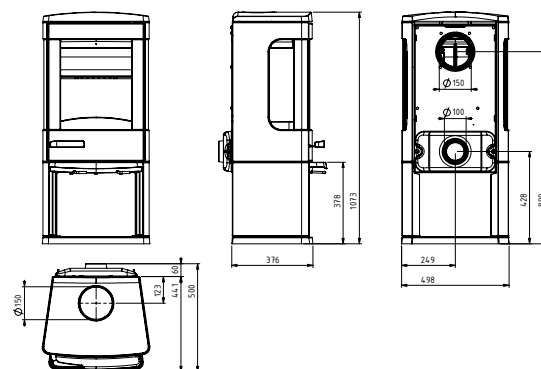


SONATA/WB:

Efficiency: 78%

WxHxD: 498 x 1073 x 500 mm

Modern wood stove with woodbox.



PRELUDE

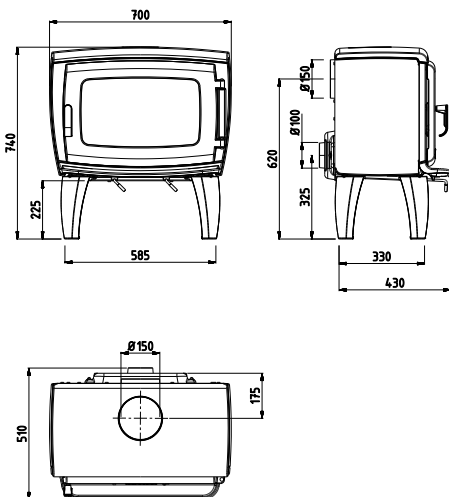


Meet Prelude, a wood stove that combines cutting-edge technology with a splash of playfulness. Let yourself be captivated by its unique design, which offers a perfect view of the fire. The Prelude wood stove with legs is available in anthracite-lacquered cast iron as standard but can also be ordered in white enamel, making it the perfect fit for every home.

On a more practical level, this product is equipped with an outside air connection as chimney flue connection at the top and bottom of the stove.

GENERAL TECHNICAL SPECIFICATIONS

- Fuel: wood
- Nominal performance: 9,0 kW
- Ø Chimney flue connection: 150mm
- Location connection : on top or rear
- Length of logs: 50cm
- Connection outside air
- Anthracite lacquered



PRELUDE:
Efficiency: 80,7%
WxHxD: 700 x 740 x 510 mm

Modern wood stove.

E8







Fireplaces

People have been warming themselves in front of an open fire for centuries. The dancing flames have a huge attraction for us. A fireplace or insert now offers a wonderful alternative to a traditional open fire. Thanks to modern technology, your fireplace or insert offers a practical and environmentally friendly way to heat your home.



VISTA900



VISTA

Sleek and modern with a flawless finish

Put craftsmanship and quality together with a modern design and you get the VISTA-series. This landscape built-in fire is sure to give your home just that extra bit of character.

- VISTA900
- VISTA800
- VISTA700
- VISTA600



WOOD



VISTA

The high-quality VISTA built-in fireplaces are not only modern, but also budget-friendly and efficient. Thanks to their intelligently designed combustion chamber this product line boasts an output of more than 80%. The VISTA built-in fireplaces are fitted with an external air supply on top and a single air regulator for primary as well as secondary air.



Does true beauty only exist on the inside? Perhaps. However, that didn't stop us from creating a stylish, elegant design in black-lacquered cast iron and sheet metal. The large, glass window is printed with a subtle, black line. As for the finishing touch, you can choose between a minimalistic 4mm rim or a bolder 25 mm one.

The VISTA series is available in 4 different sizes, which means that finding the perfect fit for your home shouldn't be too hard!

GENERAL SPECIFICATIONS

VISTA900

- Length of logs: 60cm
- Nominal performance: 14,0kW
- Efficiency: >80%

VISTA800

- Length of logs: 60cm
- Nominal performance: 12,0kW
- Efficiency: >80%

VISTA700

- Length of logs: 50cm
- Nominal performance: 10,0kW
- Efficiency: >80%

VISTA600

- Length of logs: 40cm
- Nominal performance: 8,0kW
- Efficiency: >80%

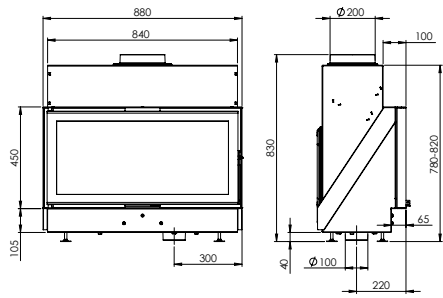
GENERAL SPECIFICATIONS

- Fuel: wood
- Ø Chimney flue connection: 200mm/150mm
- Location connection : on top
- Connection outside air
- Black lacquered



As for the finishing touch, you can choose between a minimalistic 4mm rim or a bolder 25 mm one.



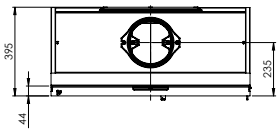


new

VISTA900:

Efficiency: >80%
WxHxD: 880x450x400 mm

Landscape wood fireplace with
glass door - 90cm wide.



VISTA900

VISTA

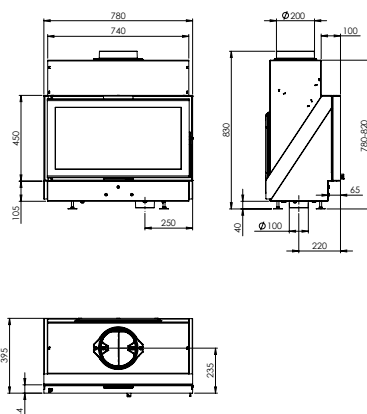
new



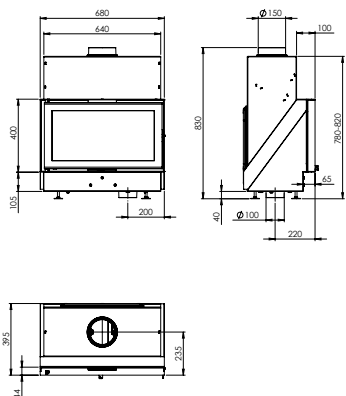
VISTA800:

Efficiency: >80%
WxHxD: 780x450x400 mm

Landscape wood fireplace with
glass door - 80cm wide.



new



VISTA700:

Efficiency: >80%
WxHxD: 680x400x400 mm

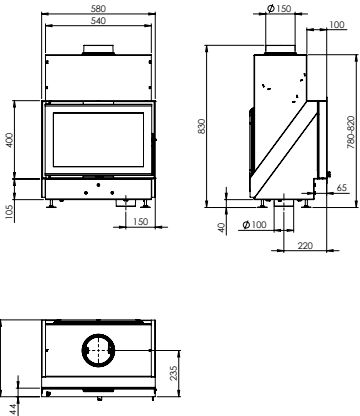
Landscape wood fireplace with
glass door - 70cm wide.



VISTA600



VISTA700



new

VISTA600:
 Efficiency: >80%
 WxHxD: 580x400x400 mm

Landscape wood fireplace with
 glass door - 60cm wide.



ZEN

Minimalist with maximum performance

Dovre's smallest and most compact woodburning fireplace but certainly not the least. With ZEN you get excellent combustion, resulting in high efficiency. An innovative patented product with unique combustion thanks to the recessed base plate and made entirely from cast iron with a glass door. All this in a clean black painted minimalist design. Thanks to its most efficient low heat output, ZEN is the ideal solution for low energy homes, and at a particularly budget friendly price.

This fireplace won an important Norwegian award for its eco-friendly qualities!

- ZEN 100
- ZEN 102



WOOD





ZEN102

ZEN

ENVIRONMENTALLY RESPONSIBLE HEAT SOURCE PERFECTLY FINISHED

These unique woodburning fireplaces are available in a frontversion (ZEN100) or a double-sided version (ZEN102). The measurements, particularly the installation depth, are an absolute bonus.



SIMPLE TO OPERATE

With its neat, user-friendly closure, a ZEN woodburning fireplace is also simple to use. The primary and secondary air flows are controlled from a single air slider. The extended leg set is available as an option.

AWARDED, ECO-FRIENDLY DESIGN

In 2015, DOVRE won the prestigious Norwegian “Bioenergy Innovation award” for the design and the innovative combustion technology of its ZEN wood fireplace. Thanks to its exceptionally efficient combustion system and its low consumption levels, this fireplace is a great, eco-friendly solution for every home.



GENERAL SPECIFICATIONS

- Fuel: wood
- Nominal performance: 4,8kW
- Ø Chimney flue connection: 150mm
- Location connection : on top
- Length of logs: 30cm
- Connection outside air
- Black painted with 15mm thin frame
- Compact, slim dimensions

OPTION

- Leg extension and wall anchor set
- Recessed 25mm frame and 50mm dept + matching handgrip
- Optional Promat’s fire-resistant do-it-yourself kit

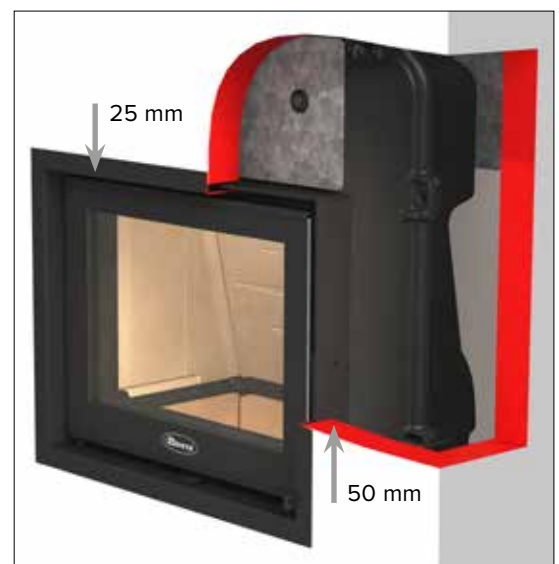


Air flow

Fresh air (blue)
Airwash (green)
Chimney flue (red)

Recessed base

Optional recessed frame



new

**OUR AWARDED BUILT-IN FIREPLACE, IN
FREESTANDING DESIGN**

Are you interested in DOVRE's ZEN? Then you might want to consider a Promat mantle.

This high-quality housing made of PROMAFOUR®, a fireproof material, is now available on the ZEN100 and can be modified to fit the ZEN102.

If needed, you can further personalize the casing with a lick of paint in the colour of your choice.



"Do it yourself" optional Promat mantle



ZEN102 + PROMAT

ZEN



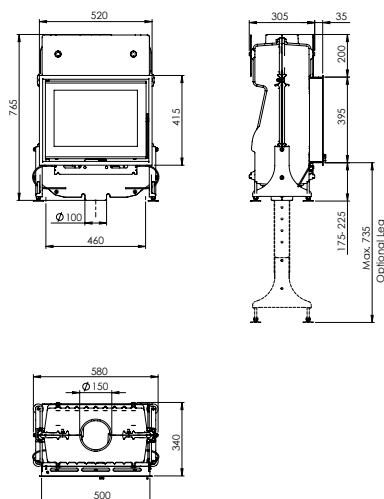
ZEN100



ZEN100:

Efficiency: 80,1%
 WxHxD: 580x765x340 mm

Compact wood fireplace with most efficient low heat output, front version.

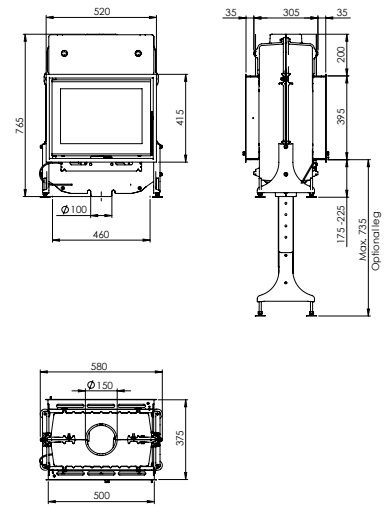




ZEN102:

Efficiency: 80,1%
WxHxD: 580x765x340 mm

Compact wood fireplace with most efficient low heat output, double-sided version.



ZEN102



2180CBGD/B, PLANO FRAME



2180

WIDE PANORAMIC

The 2180 offers the best possible view of the flames through its large, panoramic door and also complies with strict emission standards. The extra large glass and slightly recessed base plate allow you to enjoy the dancing flames to best effect.

- 2180 CBSCP/B
- 2180 CBCCP/B
- 2180 CBBSCP/B
- 2180 CBGDCP/B



WOOD



2180

Its key benefits are the double combustion system, the option of having outside air connection for both combustion and convection air, the special air wash system and of course the premium grade cast iron.



WOOD

There are four versions of the 2180CB available:

- 2180CBSCP/B: modern flat
- 2180CBCCP/B: classic
- 2180CBBSCP/B: modern curved
- 2180CBGDCP/B: lifting

GENERAL SPECIFICATIONS

- Fuel: wood
- Nominal performance: 15,0kW
- Ø Chimney flue connection: 200mm
- Location connection : on top
- Length of logs: 60cm
- Connection outside air
- Painted black

OPTION

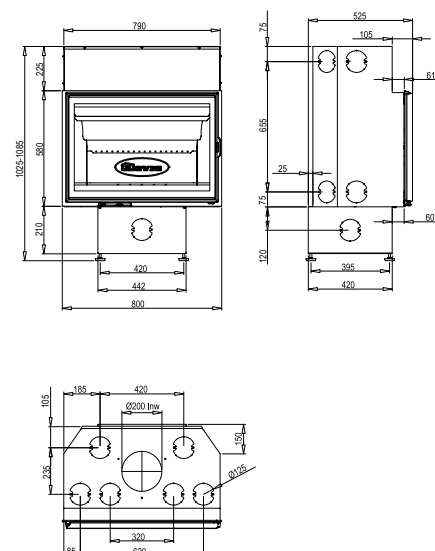
- Choice of different frame sets
- VSET2180 fan set (400m³/h and 4 speed switch)



2180CBSCP/B:

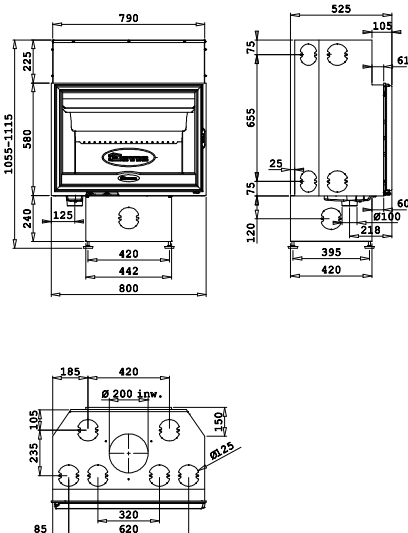
Efficiency: 76%
WxHxD: 800x1055-1155x525 mm

Large wood fireplace with straight panoramic glass door, convection box and pedestal.





2180CBSCP, MINIMALISTIC FRAME



2180CBCCP/B:

Efficiency: 76%

WxHxD: 800x1055-1155x600 mm

Large wood fireplace with classic panoramic glass door, convection box and pedestal.



2180

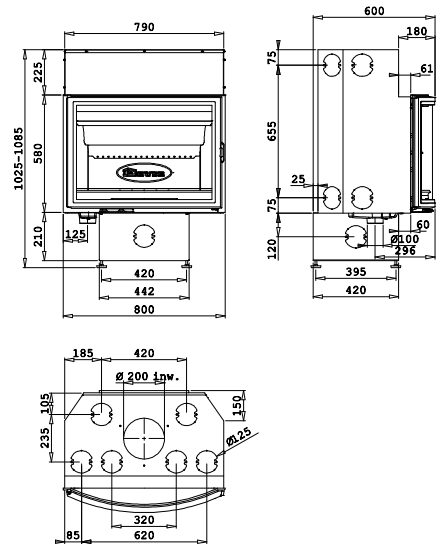
You can choose between different frame sets: a 3-sided, 4-sided or minimalistic frame. Specifically for models with a lifting door there are 4-sided recessed, plano or minimalistic frames.



2180CBBSCP/B:

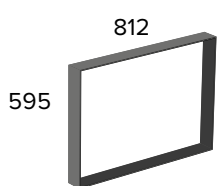
Efficiency: 76%
WxHxD: 800x1055-1155x600 mm

Large wood fireplace with panoramic curved glass door, convection box and pedestal.

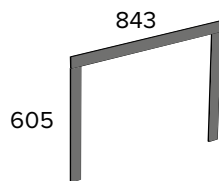


2180CBBSCP/B

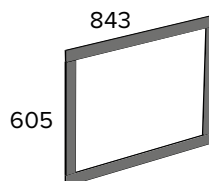
FRAMES 2180CBSCP/B - 2180CBCCP/B - 2180CBBSCP/B



MINIMALISTIC
Width: 4mm
K2180CB/MINI



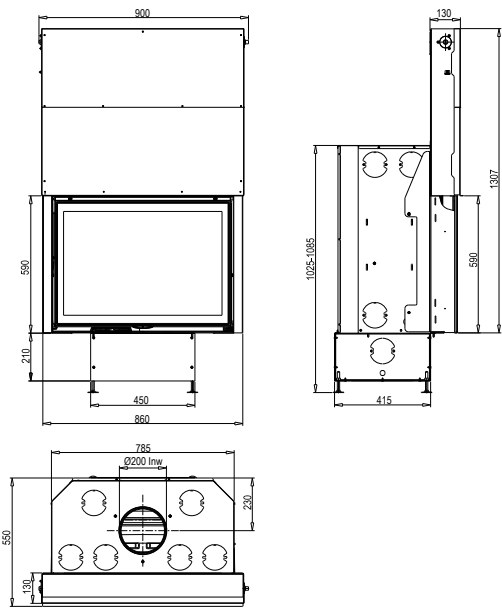
THREE-SIDED
Width: 20mm
K2180CB/3/B
K2180CBBS/3/B



FOUR-SIDED
Order three-sided + lower edge
Width: 20mm
K2180CB/OR/B
K2180BS/OR/B



2180CBDGCP/B, MINIMALISTIC FRAME



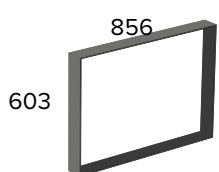
2180CBGDCP/B:

Efficiency: 76%
WxHxD: 900x1517-1577x550 mm

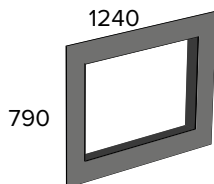
Large wood fireplace with panoramic lifting glass door, convection box and pedestal.



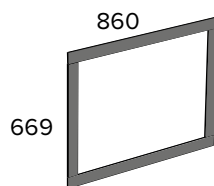
FRAMES 2180CBGDCP/B



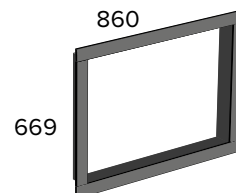
MINIMALISTIC
Width: 4mm
K2180GD/MINI



PLANO
Width: 233mm
Height: 104mm
Depth: 90mm
K2180PLANO/B



FOUR-SIDED
Width: 43mm
Depth: 43mm
K2180GD/4/B



FOUR SIDED RECESSED
Width: 43mm
Depth: 90mm
K2180GD/4D/B

2175CBS3/B



All the benefits of the 2170 series, with a higher door! Also available in cassette form (2576CBSC/B), ideal for renovations!

- 2176CBSCP/B
- 2576CBSC/B



WOOD

2176 & 2576





2175

- 2175CBS3CP/B
- 2175CBSCP/B



WOOD

PERFECT BALANCE BETWEEN DESIGN AND PERFORMANCE

The DOVRE 2170CB series offers you a perfect combination of design and performance. The key benefits of these fireplaces are the double combustion system, the option of having both combustion and convection air intakes, the special outside air wash system and of course the premium grade cast iron. The large glass area and slightly recessed base plate allow you to see the dancing flames to best effect.



2576CBSC/B

2175

The range of different versions mean that this fireplace can easily be integrated into any interior. Choose between a front version, 2-sided or fireplace with 3-sided glass. As an optional finish you can choose between frame sets with a 4-sided, minimalistic or plano finish. The door opens to the left and can optionally be converted to open to the right.



WOOD

- 2175CBS3CP/B: low door / 3-sided or 2-sided glass
- 2175CBSCP/B: low door / front glass only

GENERAL SPECIFICATIONS

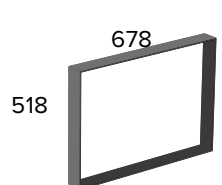
- Fuel: wood
- Nominal performance: 10,0kW
- Ø Chimney flue connection: 150mm
- Location connection : on top
- Length of logs: 50cm
- Connection outside air
- Painted black

OPTION

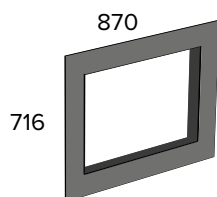
- Choice of different frame sets
- Fan set: VSET2180 (400m³/h and 4 speed switch)
- Conversion set for corner fireplace 2175CBS3/B:
OMB.2175CB/B
- Log retainer: 03.77089.020
- Conversion set for door opening direction GS75L/B



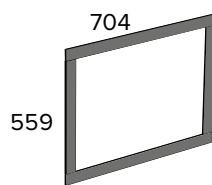
FRAMES 2175CBSCP/B - 2176CBSCP/B - 2576CBSC/B



MINIMALISTIC
Width: 4mm
K75.21/MINI



PLANO
Width: 103mm
Height: 100mm
K75.2/PLANO/B



FOUR-SIDED
Width: 20mm
K75.21/4/B

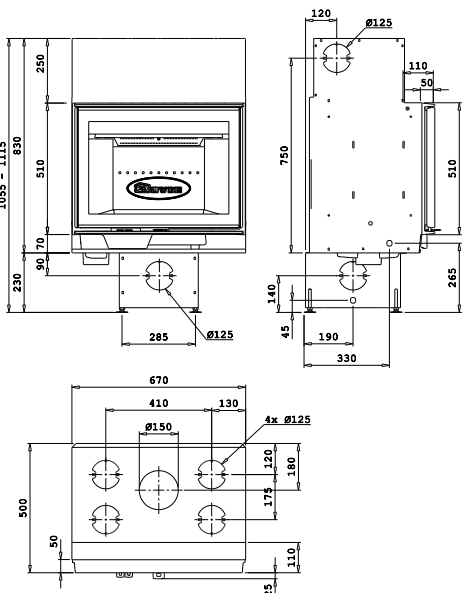
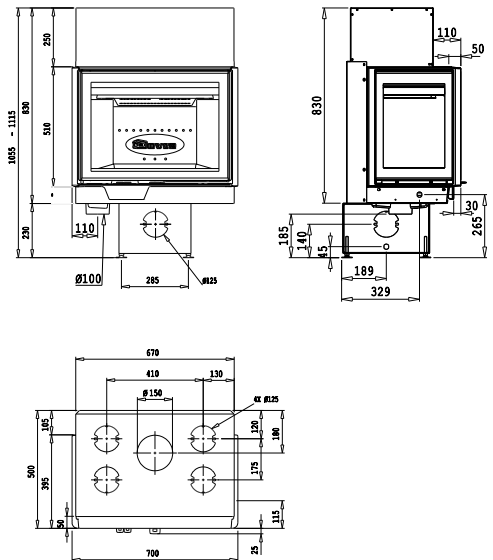


The 2175CBS3/B can easily be converted for use as a 2-sided insert. A conversion set consisting of one cast iron panel and vermiculite is available as an option.

2175CBS3CP/B:

Efficiency: 75,9%
WxHxD: 670x1055-1115x500 mm

Wood fireplace with straight glass door, 3-sided glass, convection box and pedestal. Can be converted into a 2-sided fireplace.



2175CBSCP/B:

Efficiency: 75,9%
WxHxD: 670x1055-1115x500 mm

Wood fireplace with straight glass door, convection box and pedestal.



2176

The higher modern panoramic flat glass door provides an excellent view of the flames. As an optional finish you can choose between a minimalistic frame (4 mm), a 4-sided frame 20 or 40 mm wide or a plano frame. The door opens to the left and can optionally be converted to open to the right.



WOOD

GENERAL SPECIFICATIONS

- Fuel: wood
- Nominal performance: 10,0kW
- Ø Chimney flue connection: 150mm
- Location connection : on top
- Length of logs: 50cm
- Connection outside air
- Painted black

OPTION

- Choice of different frame sets
- Fan: VSET2180 (400m³/h and 4 speed switch)
- Log retainer 03.77089.020
- Conversion set for door opening direction GS76L/B

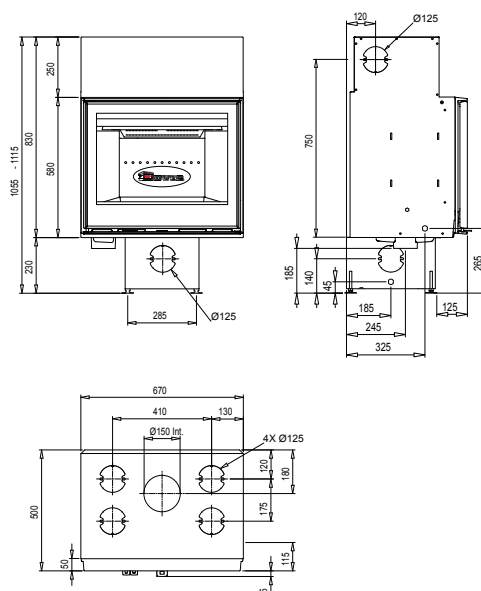


2176CBSCP/B:

Efficiency: 75,9%

WxHxD: 670x1055-1155x500 mm

Wood fireplace with straight glass door (60cm high), convection box and pedestal.



2576



Its flat upper surface and standard built-in fan system (400m³/h) makes the 2576CB exceptionally suitable for easy installation in an existing fireplace. It goes without saying that this insert can also be used in a newly build house. As an optional finish you can choose between a minimalistic frame (4 mm), a 4-sided frame 20 or 40 mm wide or a plano frame. The door opens to the left and can optionally be converted to open to the right.



2576CBSC/B + PLANO

GENERAL SPECIFICATIONS

- Fuel: wood
- Nominal performance: 10,0kW
- Ø Chimney flue connection: 150mm
- Location connection : on top
- Length of logs: 50cm
- Connection outside air
- Painted black

OPTION

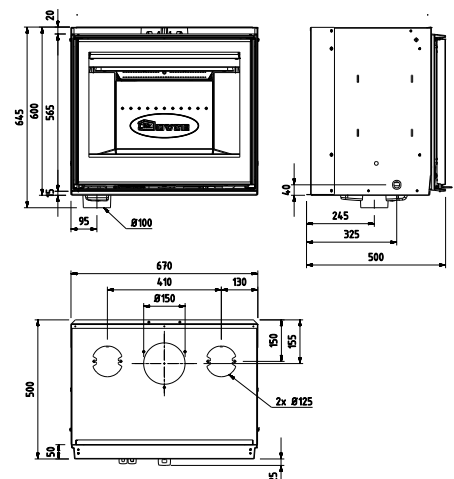
- Choice of different frame sets
- Conversion set for door opening direction GS76L/B



2576CBSC/B:

Efficiency: 75,9%
WxHxD: 670x600x500 mm

Wood insert with straight glass door
(60 cm high).





2120SC/B



20-SERIES

HEAT WITH ATMOSPHERE

These fireplace inserts combine design with high technology, creating both atmosphere and class for your interior design.

- 2120SC/B
- 2320SC/B
- 2620SC/B



WOOD



COALS



LIGNITE

- 2520S - 2520S2 (L/R) -2520S3
- 2220S
- 2020S



20-SERIES

MODERN DESIGN

These inserts with flat glass door combines a contemporary design with robust technology, giving your interior both atmosphere and class. These appliances are fitted with both a grate and an ash box.

Our modern 20 series is available in the following versions:

- 2620SC/B : flat glass door
- 2320SC/B : flat glass door and smaller than 2620SC/B
- 2120SC/B : flat glass door: version with minimum measurements



WOOD



COALS



LIGNITE

GENERAL SPECIFICATIONS

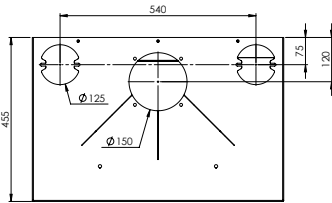
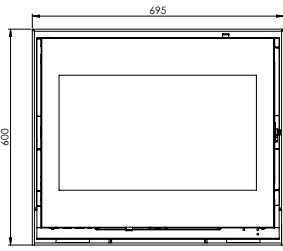
- Fuel: wood, coals and lignite briquettes
- Ø Chimney flue connection: 150mm
- Location connection : on top
- Black painted
- A simple conversion allows the door to open to the left

OPTION

- 3-sided frame
- 4th frame side
- Coal basket for 2620SC/B and 2320SC/B: K2100



2320SC/B



2620SC/B:

Efficiency: 80%
WxHxD: 695x600x455 mm

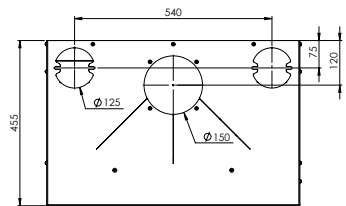
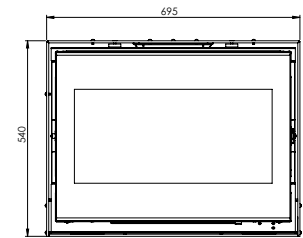
Multi-fuel insert with straight glass door.



2320SC/B:

Efficiency: 78,3%
WxHxD: 695x540x455 mm

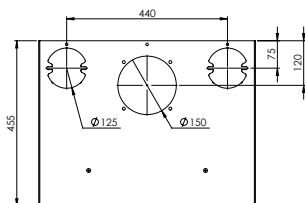
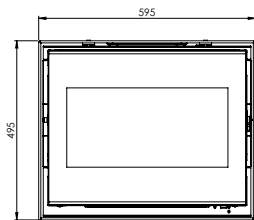
Multi-fuel insert with straight glass door.



2120SC/B:

Efficiency: 78,3%
WxHxD: 595x495x455 mm

Multi-fuel insert with straight glass door.



20-SERIES

CLASSIC DESIGN

This range of built-in inserts is one of our most established product lines. Thanks to its unique mix of classical elegance and solid technical performance, they radiate a feeling of cosiness that adds value to every home.



WOOD



COALS



LIGNITE

Our classic 20 series is available in different versions.

- 2520S: flat glass door side panels two or three-sided glass
- 2220S: flat glass door
- 2020S: flat glass door: version with minimum measurements

GENERAL SPECIFICATIONS 2520S, S2 & S3

- Fuel: wood, coals and lignite briquettes
- Nominal performance: 10,0kW
- Ø Chimney flue connection: 150mm
- Location connection : on top
- Length of logs: 50cm
- Anthracite lacquered

OPTION

- 3-sided frame
- 4th side of frame
- Coal basket

GENERAL SPECIFICATIONS: 2220S

- Fuel: wood, coals and lignite briquettes
- Nominal performance: 8,0kW
- Ø Chimney flue connection: 150mm
- Location connection : on top
- Length of logs: 50cm
- Anthracite lacquered

GENERAL SPECIFICATIONS: 2020S

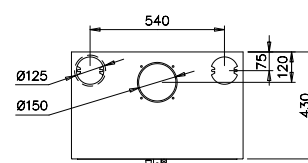
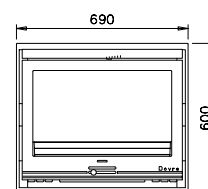
- Fuel: wood, coals and lignite briquettes
- Nominal performance: 7,0kW
- Ø Chimney flue connection: 150mm
- Location connection : on top
- Length of logs: 40cm
- Anthracite lacquered

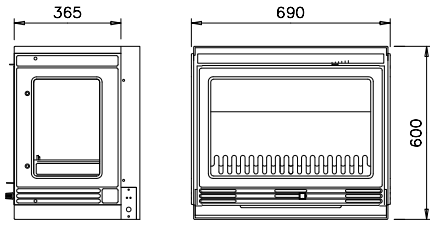


2520S:

Efficiency: 80%
WxHxD: 690x600x430 mm

Multi-fuel insert with straight glass door.





2520S3:

Efficiency: 80%
 WxHxD: 690x600x430 mm
 Multi-fuel insert with straight glass door, 3-sided glass.

2520S2R:

Efficiency: 80%
 WxHxD: 690x600x430 mm
 Multi-fuel insert with straight glass door, 2-sided right glass.



2520S2L:

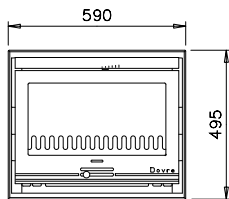
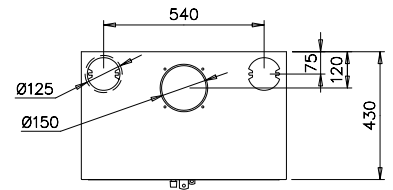
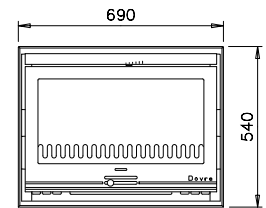
Efficiency: 80%
 WxHxD: 690x600x430 mm
 Multi-fuel insert with straight glass door, 2-sided left glass.



2220S:

Efficiency: 78,3%
 WxHxD: 690x540x430 mm

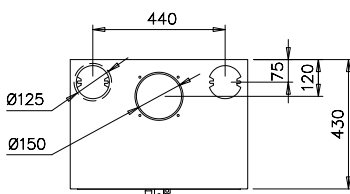
Multi-fuel insert with straight glass door.



2020S:

Efficiency: 78,3%
 WxHxD: 590x495x430 mm

Small multi-fuel insert with straight glass door.





2210S



10-SERIES

BEST HEAT AND COMFORT

This series of insert fireplaces is one of our strongest in terms of heat and comfort. Each appliance includes 2 built-in steplessly adjustable fans (each rated at 90 m³) to accelerate the convection air. A speed regulator is supplied. There is an additional control to set the temperature at which the fans start operating.

- 2510SD
- 2510S
- 2210S



WOOD



COALS



LIGNITE



10-SERIES

With this series you are able to use different fuels. These appliances are fitted with a double grate and ash box. The coal basket is optional. The door opens to the right and can be converted to the left easily.



WOOD



COALS



LIGNITE

GENERAL SPECIFICATIONS: 2510S

- Fuel: wood, coals and lignite briquettes
- Nominal performance: 10,0kW
- Ø Chimney flue connection: 150mm
- Location connection : on top
- Length of logs: 50cm
- Anthracite lacquered

GENERAL SPECIFICATIONS: 2510SD

- Fuel: wood and lignite briquettes
- Nominal performance: 10,0kW
- Ø Chimney flue connection: 150mm
- Location connection : on top
- Length of logs: 50cm
- Anthracite lacquered



2510SD

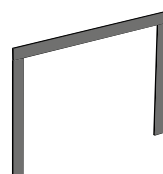
GENERAL SPECIFICATIONS: 2210S

- Fuel: wood, coals and lignite briquettes
- Nominal performance: 8,0kW
- Ø Chimney flue connection: 150mm
- Location connection : on top
- Length of logs: 50cm

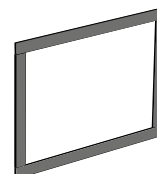
OPTION

- 3-sided frame
- 4th side of frame
- Coal basket (except for see-through inserts) K2100

FRAMES 10-SERIES



THREE-SIDED



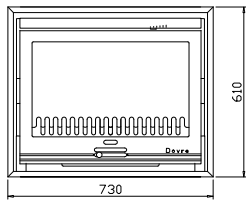
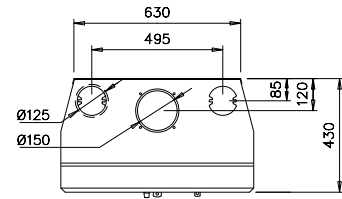
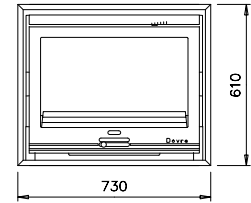
FOUR-SIDED



2510S:

Efficiency: 80%
WxHxD: 730x610x430 mm

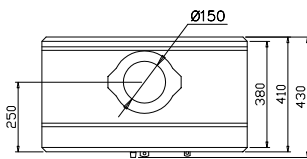
Multi-fuel insert with straight glass door.



2510SD:

Efficiency: 78,1%
WxHxD: 730x610x410 mm

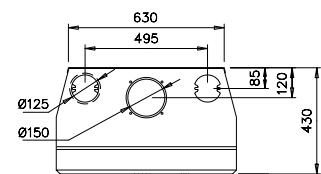
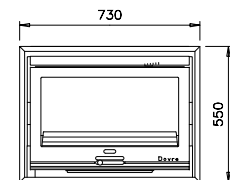
Multi-fuel insert, double-sided with straight glass door.



2210S:

Efficiency: 78,3%
WxHxD: 730x550x430 mm

Multi-fuel insert with straight glass door.



PHOENIX

Our popular DOVRE2000 fireplaces, commercialized in the 70's and the 80's, have stood the test of time brilliantly thanks to DOVRE's attention to quality and sustainability, now and then. Ecological awareness, however, wasn't a hot issue yet in those years. Now it is, and with reason.

That is why we have come up with an innovative solution for your trusted DOVRE2000(S): Phoenix. This easy-to-use retrofit will transform your fireplace into a more eco-friendly one with a higher output, providing you with twice the warmth whilst reducing the wood consumption by half. On top of that, it will look more modern and offer you a better view of the fire. Updating is easy, budget-friendly and done in no time.

Convinced? Then quickly stop by your DOVRE dealer or fitter for more information about this eco-friendly solution tailored to suit your home.



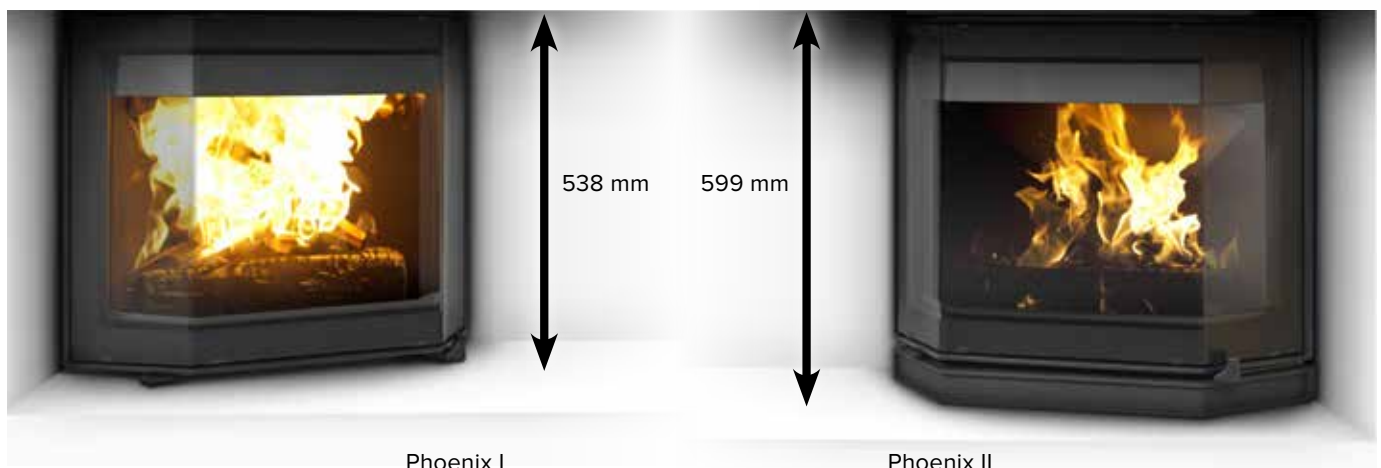
WOOD

GENERAL SPECIFICATIONS PHOENIX:

- Fuel: wood
- Nominal performance: 9,0 kW
- Ø Chimney flue connection: 150mm
- Location connection : on top
- Length of logs: 30cm
- Black lacquered



Choose either Phoenix I or Phoenix II depending on the height of the original door.

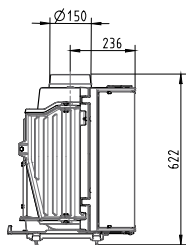
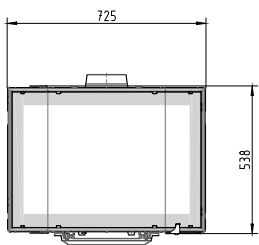




DOVRE2000



PHOENIX



PHOENIXI:

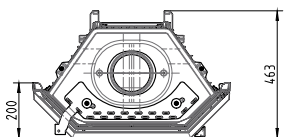
Efficiency: 79,3%
WxHxD: 725x622x463 mm

Phoenix retrofit for DOVRE2000,
modern look and panoramicview on
the fire.

PHOENIXII:

Efficiency: 79,3%
WxHxD: 725x670x474 mm

Phoenix retrofit for DOVRE2000S,
modern look and panoramic view
on the fire.



2100

The 2100 built-in fireplace with flat door gives you an excellent view of the flames. This range is also built of premium grade cast iron and equipped with the special air wash system. These appliances are fitted with both a grate and an ash box. The door opens to the right and can be converted to the left easily.

- 2100S
- 2100S2 (R/L) : 2-sided glass (right or left glass)
- 2100S3 : 3-sided glass
- 2100SD : Double-sided



WOOD



COALS

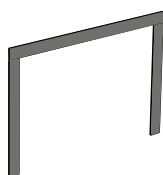


LIGNITE

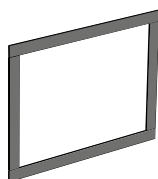
GENERAL SPECIFICATIONS

- Fuel: wood, coals and lignite briquettes
- Nominal performance: 10,0kW
- Ø Chimney flue connection: 200mm
- Location connection : on top
- Length of logs: 50cm
- Anthracite lacquered

FRAMES 2100



THREE-SIDED
K21/3



FOUR-SIDED
Order three-sided + lower edge
K00/OR



OPTION

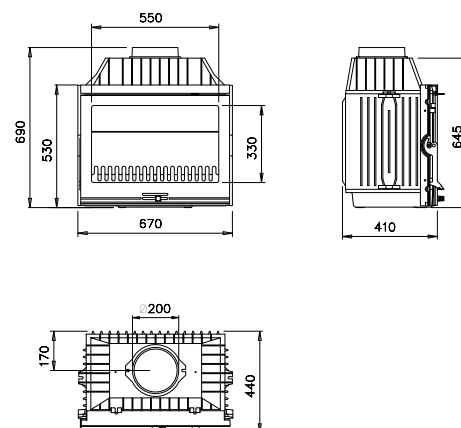
- Choice of different frame sets: 3-sided or 4-sided
- Coal basket (except for double-sided inserts) K2100



2100S:

Efficiency: 78%
WxHxD: 670x690x410 mm

Multi-fuel fireplace with straight glass door.

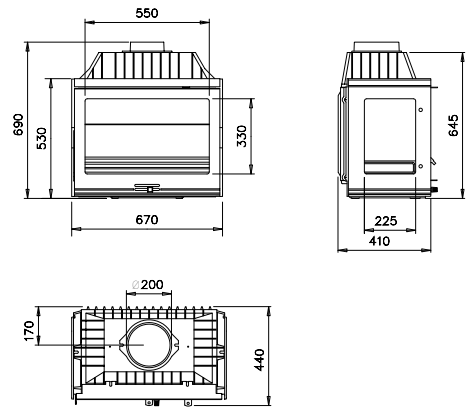




2100S2L:

Efficiency: 78%
WxHxD: 670x690x410 mm

Multi-fuel fireplace with straight glass door, 2-sided left glass



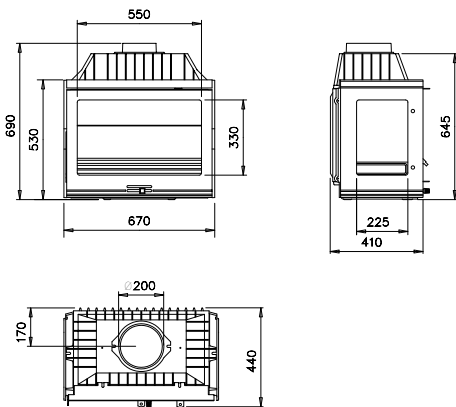
2100S2R:

Efficiency: 78%
WxHxD: 670x690x410 mm

Multi-fuel fireplace with straight glass door, 2-sided right glass.



2100SD



2100S3:

Efficiency: 78%
WxHxD: 670x690x410 mm

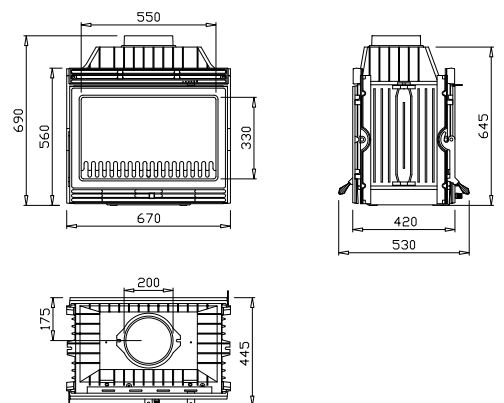
Multi-fuel fireplace with straight glass door, 3-sided glass.



2100SD:

Efficiency: 78%
WxHxD: 670x690x410 mm

Double-sided fireplace with straight glass door.



2400

The 2400 built-in fireplace feature a flat base plate. You can choose between a curved door or folding doors. Some models are available with an ash box. These fireplaces are made of premium grade cast iron and equipped with the double combustion system and the special air wash system. Horizontal or vertical connections are possible. Adjustable legs allow perfect fitting.



WOOD

The 2400 series is available in two different versions with the additional option of an ash box:

- 2400GL
- 2400GLA: 2400GL with ash box
- 2400BS
- 2400BSA: 2400BS with ash box

GENERAL SPECIFICATIONS

- Fuel: wood
- Nominal performance: 9,0kW
- Ø Chimney flue connection: 200mm
- Location connection : T/R/ 10°
- Length of logs: 40cm
- Anthracite lacquered

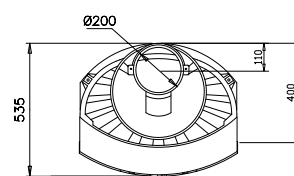
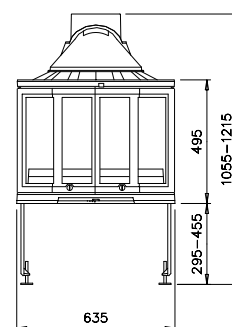


2400GL:

Efficiency: 72%

WxHxD: 635x1055-1215x535 mm

Wood fireplace with folding doors.

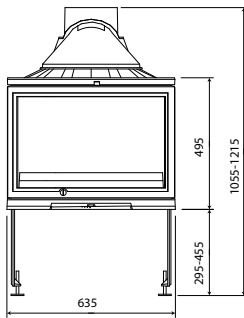
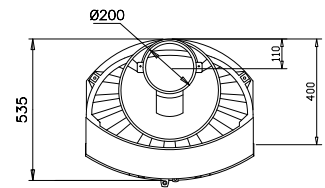
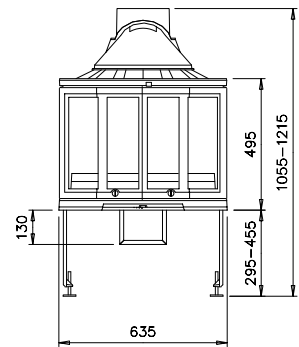




2400GLA:

Efficiency: 72%
WxHxD: 635x1055-1215x535 mm

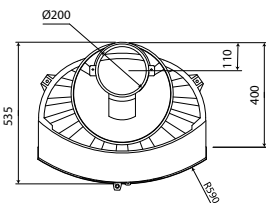
Wood fireplace with folding doors,
ashbox included.



2400BS:

Efficiency: 72%
WxHxD: 635x1055-1215x535 mm

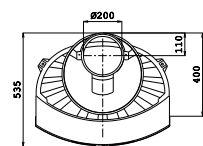
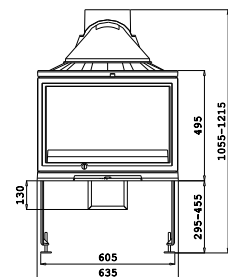
Wood fireplace with curved glass door.
door.



2400BSA:

Efficiency: 72%
WxHxD: 635x1055-1215x535 mm

Wood fireplace with curved glass door,
ashbox included.



Technical specifications

	Product name	Dimensions w x h x d (mm)	Weight (kg)	Fuel				Length of logs (cm)	Ø connection (mm)	Height of connection (mm)	Average temp. of flue gasses(°C)	Minimum pression (Pa)	Flue gas volume (g/s)	Side (S), top (T) and/or rear (R) connection	Ash box/tray
				Wood	Lignite briquettes	Coal	Gas								
BOLD	BOLD300	490x1010x420	130	●	-	-	-	35	150	850	-	12	-	T/R	●
	BOLD400	490x1130x415	145	●	-	-	-	35	150	985	-	12	-	T/R	●
SENSE	SENSE113	470x720x360	100	●	-	-	-	33	150	610	351	12	5,1	T/R	●
	SENSE100	470x900x360	105	●	-	-	-	33	150	790	351	12	5,1	T/R	●
	SENSE103	470x900x360	105	●	-	-	-	33	150	790	351	12	5,1	T/R	●
	SENSE200	470x980x360	125	●	-	-	-	33	150	870	351	12	5,1	T/R	●
	SENSE203	470x980x360	125	●	-	-	-	33	150	870	351	12	5,1	T/R	●
	SENSE300	555x1010x440	150	●	-	-	-	40	150	880	352	12	7,3	T/R	●
	SENSE303	555x1010x440	145	●	-	-	-	40	150	880	352	12	7,3	T/R	●
	SENSE400	555x1160x440	180	●	-	-	-	40	150	1025	352	12	7,3	T/R	●
	SENSE403	555x1160x440	175	●	-	-	-	40	150	1025	352	12	7,3	T/R	●
VINTAGE WOOD	VINTAGE50	690x690x445	155	●	-	-	-	50	150	545	328	12	6,4	T/R	●
	VINTAGE35	505x685x445	125	●	-	-	-	35	150	545	328	12	4,9	T/R	●
	VINTAGE30	370x680x445	95	●	-	-	-	30	150	545	328	12	4,2	T/R	-
	VINTAGE50TB	720x805x445	175	●	-	-	-	50	150	660	328	12	6,4	T/R	●
	VINTAGE35TB	535x800x445	140	●	-	-	-	35	150	660	328	12	4,9	T/R	●
	VINTAGE30TB	400x800x445	110	●	-	-	-	30	150	660	328	12	4,2	T/R	-
	VINTAGE50WB	690x880x445	185	●	-	-	-	50	150	735	328	12	6,4	T/R	●
	VINTAGE35WB	505x875x445	150	●	-	-	-	35	150	735	328	12	4,9	T/R	●
	VINTAGE30WB	370x870x445	115	●	-	-	-	30	150	735	328	12	4,2	T/R	-
	VINTAGE35CR	570x800x445	150	●	-	-	-	35	150	660	328	12	4,9	T/R	●
	VINTAGE30CR	435x800x445	115	●	-	-	-	30	150	660	328	12	4,2	T/R	-
VINTAGE GAS	VINT50GA	690x690x445	85	-	-	-	●	-	100/150	545	-	-	-	T/R	-
	VINT50GAP	690x690x445	85	-	-	-	●	-	100/150	545	-	-	-	T/R	-
	VINT35GA	505x685x445	65	-	-	-	●	-	100/150	545	-	-	-	T/R	-
	VINT35GAP	505x685x445	65	-	-	-	●	-	100/150	545	-	-	-	T/R	-
	VINT50GA/TB	720x805x445	105	-	-	-	●	-	100/150	660	-	-	-	T/R	-
	VINT50GAP/TB	720x805x445	105	-	-	-	●	-	100/150	660	-	-	-	T/R	-
	VINT35GA/TB	535x800x445	80	-	-	-	●	-	100/150	660	-	-	-	T/R	-
	VINT35GAP/TB	535x800x445	80	-	-	-	●	-	100/150	660	-	-	-	T/R	-
	VINT50GA/WB	690x880x445	115	-	-	-	●	-	100/150	735	-	-	-	T/R	-
	VINT50GAP/WB	690x880x445	115	-	-	-	●	-	100/150	735	-	-	-	T/R	-
	VINT35GA/WB	505x875x445	90	-	-	-	●	-	100/150	735	-	-	-	T/R	-
	VINT35GAP/WB	505x875x445	90	-	-	-	●	-	100/150	735	-	-	-	T/R	-
	VINT35GA/CR	575x800x445	90	-	-	-	●	-	100/150	660	-	-	-	T/R	-

STOVES

Nominal power (kW)	Minimal power (kW)	Maximal power (kW)	Capacity (m ³)	Efficiency (%)	CO emissions % (13% O ₂)	Dust particles (mg/Nm ³)	Gas category	Gas type	Gas connection (")	Type of gas appliance	Nominal output kW (kW)	Nominal gas consumption in m ³ /hr (G20 or G31)	Behind (mm)	Side (mm)	Front (mm)	Secondary combustion	Outside air connection
Based on fuel 'wood' (except gas appliances)							Specific information for gas						Distance to flammable objects				
7,0	2,3	9,0	140	>80	<0,10	< 40	-	-	-	-	-	-	300	500	800	●	●
7,0	2,3	9,0	140	>80	<0,10	< 40	-	-	-	-	-	-	300	500	800	●	●
7,0	2,3	9,0	140	80	0,07	25	-	-	-	-	-	-	300	500	800	●	●
7,0	2,3	9,0	140	80	0,07	21	-	-	-	-	-	-	300	500	800	●	●
7,0	2,3	9,0	140	80	0,07	21	-	-	-	-	-	-	300	500	800	●	●
7,0	2,3	9,0	140	80	0,07	21	-	-	-	-	-	-	300	500	800	●	●
9,0	3,0	11,0	180	80	0,08	19	-	-	-	-	-	-	400	500	800	●	●
9,0	3,0	11,0	180	80	0,08	19	-	-	-	-	-	-	400	500	800	●	●
9,0	3,0	11,0	180	80	0,08	19	-	-	-	-	-	-	400	500	800	●	●
9,0	3,0	11,0	180	80	0,08	19	-	-	-	-	-	-	400	500	800	●	●
9,0	3,0	11,0	180	84,2	0,1	27	-	-	-	-	-	-	150	500	800	●	●
7,0	2,3	9,0	140	83	0,05	16	-	-	-	-	-	-	100	500	800	●	●
5,0	1,7	7,0	100	80,4	0,05	6	-	-	-	-	-	-	100	500	800	●	●
9,0	3,0	11,0	180	84,2	0,1	27	-	-	-	-	-	-	150	500	800	●	●
7,0	2,3	9,0	140	83	0,05	16	-	-	-	-	-	-	100	500	800	●	●
5,0	1,7	7,0	100	80,4	0,05	6	-	-	-	-	-	-	100	500	800	●	●
9,0	3,0	11,0	180	84,2	0,1	27	-	-	-	-	-	-	150	500	800	●	●
7,0	2,3	9,0	140	83	0,05	16	-	-	-	-	-	-	100	500	800	●	●
5,0	1,7	7,0	100	80,4	0,05	6	-	-	-	-	-	-	100	500	800	●	●
7,0	2,3	9,0	140	83	0,05	16	-	-	-	-	-	-	100	500	800	●	●
5,0	1,7	7,0	100	80,4	0,05	6	-	-	-	-	-	-	100	500	800	●	●
7,5	-	-	140	88	-	-	I2E+	G20/G25	3/8	C11/C31	8,7	0,9	200	500	800	-	●
7,5	-	-	140	88	-	-	I3+	G30/G31	3/8	C11/C31	6	0,18	200	500	800	-	●
6,0	-	-	120	86	-	-	I2E+	G20/G25	3/8	C11/C31	7	0,7	150	500	800	-	●
6,0	-	-	120	86	-	-	I3+	G30/G31	3/8	C11/C31	4,4	0,13	150	500	800	-	●
7,5	-	-	140	88	-	-	I2E+	G20/G25	3/8	C11/C31	8,7	0,9	200	500	800	-	●
7,5	-	-	140	88	-	-	I3+	G30/G31	3/8	C11/C31	6	0,18	200	500	800	-	●
6,0	-	-	120	86	-	-	I2E+	G20/G25	3/8	C11/C31	7	0,7	150	500	800	-	●
6,0	-	-	120	86	-	-	I3+	G30/G31	3/8	C11/C31	4,4	0,13	150	500	800	-	●
7,5	-	-	140	88	-	-	I2E+	G20/G25	3/8	C11/C31	8,7	0,9	200	500	800	-	●
7,5	-	-	140	88	-	-	I3+	G30/G31	3/8	C11/C31	6	0,18	200	500	800	-	●
6,0	-	-	120	86	-	-	I2E+	G20/G25	3/8	C11/C31	7	0,7	150	500	800	-	●
6,0	-	-	120	86	-	-	I3+	G30/G31	3/8	C11/C31	4,4	0,13	150	500	800	-	●
6,0	-	-	120	86	-	-	I2E+	G20/G25	3/8	C11/C31	7	0,7	150	500	800	-	●

Technical specifications

Product name	Dimensions w x h x d (mm)	Weight (kg)	Fuel				Length of logs (cm)	Ø connection (mm)	Height of connection (mm)	Chimney / flue					Ash box/tray
			Wood	Lignite briquettes	Coal	Gas				Average temp. of flue gasses(°C)	Minimum pression (Pa)	Flue gas volume (g/s)	Side (S), top (T) and/or rear (R) connection		
VINT35GAP/CR	575x800x445	90	-	-	-	●	-	100/150	660	-	-	-	T/R	-	
TAI	TAI35W	520x785x400	100	●	-	-	-	35	150	610	339	12	4,3	T/R	●
	TAI45WD	615x800x430	140	●	-	-	-	45	150	665	-	12	-	T/R	●
	TAI45W	615x800x430	150	●	-	-	-	45	150	665	-	12	-	T/R	●
	TAI45M	615x800x465	170	●	-	●	-	45	150	665	410	12	8,5	R	●
	TAI45C	615x800x465	155	-	-	●	-	-	150	665	-	-	-	R	●
	TAI55WD	715x800x430	150	●	-	-	-	55	150	665	-	12	-	T/R	●
	TAI55W	715x800x430	150	●	-	-	-	55	150	665	-	12	-	T/R	●
	TAI55M	715x800x465	190	●	-	●	-	55	150	665	407	12	8,2	R	●
	TAI55C	715x800x465	175	-	-	●	-	-	150	665	-	-	-	R	●
ASTRO4 WOOD	ASTRO4CB/WB	475x1140x420	170	●	-	-	-	25	150	985	367	12	7,5	T/R	●
	ASTRO4MF/WB	475x1140x420	170	●	●	●	-	25	150	985	367	11	7,4	T/R	●
	ASTRO4CBWBSC	480x1180x465	249	●	-	-	-	25	150	985	367	12	7,5	T/R	●
	ASTRO4MFWBSC	480x1180x465	259	●	●	●	-	25	150	985	367	11	7,4	T/R	●
	ASTRO4CB/P	475x1140x430	155	●	-	-	-	25	150	985	367	12	7,5	T/R	●
	ASTRO4MF/P	475x1140x430	155	●	●	●	-	25	150	985	367	11	7,4	T/R	●
ASTRO4 GAS	ASTRO4GA/P	475x1140x430	120	-	-	-	●	-	100/150	485	-	-	-	T/R	-
	ASTRO4GAP/P	475x1140x430	120	-	-	-	●	-	100/150	485	-	-	-	T/R	-
	ASTRO4GAO/P	475x1140x430	120	-	-	-	●	-	125-130	485	-	-	-	T/R	-
	ASTRO4GA/WB	465x1140x420	115	-	-	-	●	-	100/150	485	-	-	-	T/R	-
	ASTRO4GAP/WB	465x1140x420	115	-	-	-	●	-	100/150	485	-	-	-	T/R	-
	ASTRO4GAO/WB	465x1140x420	115	-	-	-	●	-	125-130	485	-	-	-	T/R	-
ASTRO3	ASTRO3CB/WB	515x1140x420	160	●	-	-	-	25	150	985	367	12	7,5	T/R	●
	ASTRO3MF/WB	515x1140x420	160	●	●	●	-	25	150	985	367	11	7,4	T/R	●
	ASTRO3CB/P	515x1140x420	145	●	-	-	-	25	150	985	367	12	7,5	T/R	●
	ASTRO3MF/P	515x1140x420	145	●	●	●	-	25	150	985	367	11	7,4	T/R	●
ASTRO2	ASTRO2/L	520x890x450	139	●	-	-	-	30	150	730	280	12	7,1	T/R	●
	ASTRO2/L-BL	520x890x450	142	●	-	-	-	30	150	730	280	12	7,1	T/R	●
	Astro2/L-GLB	530x890x450	150	●	-	-	-	30	150	730	280	12	7,1	R	●
	Astro2/L-GLT	530x890x450	149	●	-	-	-	30	150	730	280	12	7,1	T	●
	ASTRO2/WB	545x1050x450	158	●	-	-	-	30	150	890	280	12	7,1	T/R	●
	Astro2/WB-GLB	545x1050x450	173	●	-	-	-	30	150	890	280	12	7,1	R	●
	Astro2/WB-GLT	545x1050x450	172	●	-	-	-	30	150	890	280	12	7,1	T	●

STOVES

Nominal power (kW)	Minimal power (kW)	Maximal power (kW)	Capacity (m ³)	Efficiency (%)	CO emissions % (13% O ₂)	Dust particles (mg/Nm ³)	Gas category	Gas type	Gas connection (")	Type of gas appliance	Nominal output kW (kW)	Nominal gas consumption in m ³ /hr (G20 or G31)	Behind (mm)	Side (mm)	Front (mm)	Secondary combustion	Outside air connection
Based on fuel 'wood' (except gas appliances)							Specific information for gas						Distance to flammable objects				
6,0	-	-	120	86	-	-	I3+	G30/G31	3/8	C11/C31	4,4	0,13	150	500	800	-	●
6,5	3,3	8,5	130	81,4	0,07	18	-	-	-	-	-	-	400	400	800	●	-
9,0	3,0	11,0	180	>80	<0,10	<40	-	-	-	-	-	-	300	400	800	●	-
9,0	3,0	11,0	180	>80	<0,10	<40	-	-	-	-	-	-	300	400	800	●	-
9,0	3,0	11,0	180	75,3	0,09	13	-	-	-	-	-	-	300	450	800	●	-
9,0	3,0	11,0	180	79,5	0,08	4,5	-	-	-	-	-	-	400	450	800	-	-
11,0	3,7	13,0	220	>80	<0,10	<40	-	-	-	-	-	-	350	450	800	●	-
11,0	3,7	13,0	220	>80	<0,10	<40	-	-	-	-	-	-	350	450	800	●	-
11,0	3,7	13,0	220	75,3	0,09	5,1	-	-	-	-	-	-	350	450	800	●	-
11,0	3,7	13,0	220	78,2	0,09	3,6	-	-	-	-	-	-	450	450	800	-	-
8,0	2,5	10,0	160	76,4	0,09	24	-	-	-	-	-	-	100	500	800	●	●
8,0	2,5	10,0	160	76,7	0,09	18	-	-	-	-	-	-	100	500	800	●	●
8,0	2,5	10,0	160	76,4	0,09	24	-	-	-	-	-	-	100	500	800	●	●
8,0	2,5	10,0	160	76,7	0,09	18	-	-	-	-	-	-	100	500	800	●	●
8,0	2,5	10,0	160	76,4	0,09	24	-	-	-	-	-	-	100	500	800	●	●
8,0	2,5	10,0	160	76,7	0,09	18	-	-	-	-	-	-	100	500	800	●	●
7,0	-	-	140	87	-	-	I2E+	G20/25	3/8	C11/C31	8	0,9	200	400	800	-	●
4,0	-	-	80	74,3	-	-	I3+	G30/G31	3/8	C11/C31	5,3	0,16	200	400	800	-	●
6,0	-	-	120	85,1	-	-	I2E+	G20/25	3/8	B11BS	7	0,75	200	400	800	-	-
7,0	-	-	140	87	-	-	I2E+	G20/G25	3/8	C11/C31	9	0,9	200	400	800	-	●
4,0	-	-	80	74,3	-	-	I3+	G30/31	3/8	C11/C31	5,3	0,16	200	400	800	-	●
6,0	-	-	120	85,1	-	-	I2E+	G20/G25	3/8	B11BS	7	0,75	200	400	800	-	-
8,0	2,5	10,0	160	76,4	0,09	24	-	-	-	-	-	-	100	500	800	●	●
8,0	2,5	10,0	160	76,7	0,09	18	-	-	-	-	-	-	100	500	800	●	●
8,0	2,5	10,0	160	76,4	0,09	24	-	-	-	-	-	-	100	500	800	●	●
8,0	2,5	10,0	160	76,7	0,09	18	-	-	-	-	-	-	100	500	800	●	●
7,0	2,3	9,0	140	79,4	0,07	31	-	-	-	-	-	-	200	200	800	●	●
7,0	2,3	9,0	140	79,4	0,07	31	-	-	-	-	-	-	200	200	800	●	●
7,0	2,3	9,0	140	79,4	0,07	31	-	-	-	-	-	-	200	150	800	●	●
7,0	2,3	9,0	140	79,4	0,07	31	-	-	-	-	-	-	200	150	800	●	●
7,0	2,3	9,0	140	79,4	0,07	31	-	-	-	-	-	-	200	200	800	●	●
7,0	2,3	9,0	140	79,4	0,07	31	-	-	-	-	-	-	200	150	800	●	●
7,0	2,3	9,0	140	79,4	0,07	31	-	-	-	-	-	-	200	150	800	●	●

Technical specifications

	Product name	Dimensions w x h x d (mm)	Weight (kg)	Fuel				Length of logs (cm)	Ø connection (mm)	Height of connection (mm)	Chimney / flue				Ash box/tray
				Wood	Lignite briquettes	Coal	Gas				Average temp. of flue gasses(°C)	Minimum pression (Pa)	Flue gas volume (g/s)	Side (S), top (T) and/or rear (R) connection	
ASTRO2	ASTRO2/P	520x1120x450	157	●	-	-	-	30	150	960	280	12	7,1	T/R	●
	Astro2/P-GLB	530x1120x450	151	●	-	-	-	30	150	960	280	12	7,1	R	●
	Astro2/P-GLT	530x1120x450	150	●	-	-	-	30	150	960	280	12	7,1	T	●
760	760CB	780x800x580	210	●	-	-	-	60	150	645	343	11	10,4	T/R	●
	760GM	780x800x580	225	●	●	●	-	40	150	645	342	10	8,1	T/R	●
	760GK	780x800x580	239	-	-	●	-	-	150	645	332	12	8,6	T/R	●
640	640CB	650x760x550	190	●	-	-	-	50	150	605	322	12	8,7	T/R	●
	640GM	650x760x550	190	●	●	●	-	40	150	605	345	12	7,2	T/R	●
	640GK	650x760x550	195	-	-	●	-	-	150	605	302	12	8,1	T/R	●
BRUT	BRUT	460x825x395	105	●	-	-	-	35	150	-	302	12	6,1	T	●
525	525CB	525x750x475	120	●	-	-	-	40	150	625	353	12	5,4	T/R	●
325	325CB	465x655x490	100	●	-	-	-	30	150	530	346	12	4,1	T/R	●
2575/3SEC	2575/3SEC	700x2400-2700x490	234	●	-	-	-	50	150	1120	345	12	10,1	T	-
350	350CB3	430x768x475	110	●	-	-	-	30	125	658	442	12	6,6	S/T/R	●
	350CB	430x715-775x475	95	●	-	-	-	30	125	600-660	442	12	6,6	S/T/R	●
360	360CB3	540x768x475	128	●	-	-	-	40	125	658	438	10	8,2	S/T/R	●
	360CB	540x715-775x475	130	●	-	-	-	40	125	600-660	438	10	8,2	S/T/R	●
2175CB3/SC	2175CB3/SCB	770x1280x525	344	●	-	-	-	50	150	1120	345	12	10,1	R	-
	2175CB3/SCT	770x1280x525	344	●	-	-	-	50	150	1120	345	12	10,1	T	-
750	750GH	700x705x490	175	●	-	-	-	50	150	595	343	12	7,5	T/R	●
	750GM	700x705x490	175	●	●	●	-	50	150	595	340	12	7,5	T/R	●
	750GA	700x705x545	115	-	-	-	●	-	100	545	-	-	-	R	-
	750GAP	700x705x545	115	-	-	-	●	-	100	545	-	-	-	R	-
725	725GA	710x775x495	85	-	-	-	●	-	100	570	-	-	-	R	-
	725GAP	710x775x495	85	-	-	-	●	-	100	570	-	-	-	R	-
250	250CB	455x645x405	80	●	●	-	-	30	125	495	295	12	6,4	T/R	●
	250CBN	455x645x405	80	●	●	-	-	30	125	495	295	12	6,4	T/R	●

STOVES

Nominal power (kW)	Minimal power (kW)	Maximal power (kW)	Capacity (m ³)	Efficiency (%)	CO emissions % (13% O ₂)	Dust particles (mg/Nm ³)	Gas category	Gas type	Gas connection (")	Type of gas appliance	Nominal output kW (kW)	Nominal gas consumption in m ³ /hr (G20 or G31)	Behind (mm)	Side (mm)	Front (mm)	Secondary combustion	Outside air connection
Based on fuel 'wood' (except gas appliances)							Specific information for gas						Distance to flammable objects				
7,0	2,3	9,0	140	79,4	0,07	31	-	-	-	-	-	-	200	200	800	●	●
7,0	2,3	9,0	140	79,4	0,07	31	-	-	-	-	-	-	200	150	800	●	●
7,0	2,3	9,0	140	79,4	0,07	31	-	-	-	-	-	-	200	150	800	●	●
11,0	3,7	13,0	220	78	0,09	15	-	-	-	-	-	-	200	500	800	●	○
11,0	3,7	13,0	220	82,8	0,06	25	-	-	-	-	-	-	200	500	800	●	○
11,0	3,7	13,0	220	83	0,06	25	-	-	-	-	-	-	200	500	800	●	○
9,0	3,0	11,0	180	75,2	0,1	19	-	-	-	-	-	-	200	500	800	●	○
9,0	3,0	11,0	180	77,5	0,08	10	-	-	-	-	-	-	200	500	800	●	○
9,0	3,0	11,0	180	78,3	0,08	25	-	-	-	-	-	-	200	500	800	●	○
6,5	4,5	8,5	130	78	0,04	18	-	-	-	-	-	-	400	400	800	●	-
8,0	2,7	10,0	160	80	0,09	21	-	-	-	-	-	-	200	350	800	●	●
6,0	2,0	8,0	120	81	0,09	13	-	-	-	-	-	-	150	400	800	●	●
10,0	3,3	12,0	200	75,9	0,06	19	-	-	-	-	-	-	10	500	800	●	●
6,0	2,0	8,0	120	77	0,1	10	-	-	-	-	-	-	200	800	800	●	-
6,0	2,0	8,0	120	77	0,1	10	-	-	-	-	-	-	200	400	800	●	-
7,0	2,3	9,0	140	75	0,09	39	-	-	-	-	-	-	200	800	800	●	-
7,0	2,3	9,0	140	75	0,09	39	-	-	-	-	-	-	200	400	800	●	-
10,0	3,3	12,0	200	75,9	0,06	19	-	-	-	-	-	-	50	500	800	●	●
10,0	3,3	12,0	200	75,9	0,06	19	-	-	-	-	-	-	50	500	800	●	●
9,0	3,0	11,0	180	75	0,1	-	-	-	-	-	-	-	200	400	800	●	-
9,0	3,0	11,0	180	78,2	0,13	-	-	-	-	-	-	-	200	400	800	-	-
9,0	3,0	-	180	85,4	-	-	I2E+	G20/G25	3/8	B11BS	10,5	1,1	200	400	800	-	-
9,0	3,0	-	180	88,1	-	-	I3+	G30/G31	3/8	B11BS	10,5	0,3	200	400	800	-	-
9,0	3,0	-	180	86,1	-	-	I2E+	G20/G25	3/8	B11BS	10	1,1	200	400	800	-	-
9,0	3,0	-	180	85,5	-	-	I3+	G30/G31	3/8	B11BS	10	0,3	200	400	800	-	-
6,0	2,0	8,0	120	83	0,1	36	-	-	-	-	-	-	200	200	800	●	-
6,0	2,0	8,0	120	83	0,1	36	-	-	-	-	-	-	400	400	800	●	-

Technical specifications

Product name	Dimensions w x h x d (mm)	Weight (kg)	Fuel				Length of logs (cm)	Ø connection (mm)	Height of connection (mm)	Average temp. of flue gasses(°C)	Minimum pression (Pa)	Flue gas volume (g/s)	Side (S), top (T) and/or rear (R) connection	Ash box/tray	
			Wood	Lignite briquettes	Coal	Gas									Chimney / flue
250	455x645x405	80	●	●	●	-	30	125	495	316	10	6,2	T/R	●	
425	425CB	550x765/845x445	115	●	●	-	-	40	150	640-720	415	13	5,6	T/R	●
	425GM	550x765/845x445	110	●	●	●	-	40	150	640-720	341	12	9,2	T/R	●
	425GA	560x725x450	75	-	-	-	●	-	100	570	-	-	-	R	-
	425GAP	560x725x450	75	-	-	-	●	-	100	570	-	-	-	R	-
550	550CB	550x765/845x445	115	●	●	-	-	40	150	640-720	415	13	5,6	T/R	●
555	555GM	550x765/845x445	120	●	●	●	-	40	150	640-720	341	12	9,2	T/R	●
310GX	310GX	805x710x435	130	●	●	●	-	60	150	610	330	12	7,3	T/R	●
40CBS	40CBS	600x715/775x350	85	●	-	-	-	40	125	610	384	11	6,4	S/T/R	-
100	100	500 x 620 x 325	60	●	-	-	-	35	125	522	320	12	6,9	S/T/R	-
300CB	300CB	810x730x365	115	●	-	-	-	60	125	630	384	12	5,8	S/T/R	-
600	600	595x680x340	80	●	-	-	-	40	125	590	320	12	8,2	S/T/R	-
SONATA	SONATA/WB	498 x 1073 x 500	156	●	-	-	-	30	150	890	321	12	7,4	T/R	●
PRELUDE	PRELUDE	700 x 740 x 510	145	●	-	-	-	50	150	323	291	12	6,8	T/R	●

STOVES

Nominal power (kW)	Minimal power (kW)	Maximal power (kW)	Capacity (m ³)	Efficiency (%)	CO emissions % (13% O ₂)	Dust particles (mg/Nm ³)	Gas category	Gas type	Gas connection (")	Type of gas appliance	Nominal output kW (kW)	Nominal gas consumption in m ³ /hr (G20 or G31)	Behind (mm)	Side (mm)	Front (mm)	Secondary combustion	Outside air connection
Based on fuel 'wood' (except gas appliances)							Specific information for gas					Distance to flammable objects					
6,0	2,0	8,0	120	81,7	0,1	18	-	-	-	-	-	-	200	400	800	●	-
8,0	2,7	10,0	160	78,8	0,09	36	-	-	-	-	-	-	200	400	800	●	-
8,0	2,7	10,0	160	80,1	0,09	28	-	-	-	-	-	-	200	400	800	-	-
6,0	2,0	-	120	87,4	-	-	I2E+	G20/G25	3/8	B11BS	7	0,75	200	400	800	-	-
6,0	2,0	-	120	-	-	-	I3+	G30/G31	3/8	B11BS	8	0,25	200	400	800	-	-
8,0	2,7	10,0	160	78,8	0,09	36	-	-	-	-	-	-	200	400	800	●	-
8,0	2,7	10,0	160	80,1	0,09	28	-	-	-	-	-	-	200	400	800	-	-
8,0	2,7	10,0	160	78,5	0,08	32	-	-	-	-	-	-	400	400	800	-	-
6,0	2,0	8,0	120	82,4	0,12	16	-	-	-	-	-	-	400	400	800	●	-
5,0	1,5	7,0	100	79,8	0,12	37	-	-	-	-	-	-	400	400	800	-	-
6,0	2,0	8,0	120	80	0,09	33	-	-	-	-	-	-	400	400	800	●	-
6,0	2,0	8,0	120	80	0,09	33	-	-	-	-	-	-	400	400	800	-	-
7,0	2,3	9,0	140	78	0,06	34	-	-	-	-	-	-	300	800	800	●	●
9,0	3,0	11,0	180	80,7	0,09	10	-	-	-	-	-	-	200/300	400	800	●	●

FIREPLACES

	Product name	Dimensions w x h x d (mm)	Weight (kg)	Fuel				Length of logs (cm)	Ø connection (mm)	Chimney / flue				Ash box/tray
				Wood	Lignite briquettes	Coal	Gas			Average temp. of flue gasses(°C)	Minimum pression (Pa)	Flue gas volume (g/s)	Side (S), top (T) and/or rear (R) connection	
VISTA	VISTA900	880x450x400	125	●	-	-	-	60	200	-	-	-	T	●
	VISTA800	780x450x400	115	●	-	-	-	60	200	-	-	-	T	●
	VISTA700	680x400x400	105	●	-	-	-	50	150	-	-	-	T	●
	VISTA600	580x400x400	95	●	-	-	-	40	150	-	-	-	T	●
ZEN	ZEN100	580x765x340	115	●	-	-	-	30	150	247	12	5,1	T	-
	ZEN102	580x765x340	100	●	-	-	-	30	150	247	12	5,1	T	-
2180	2180CBSCP/B	800x1055-1155x525	215	●	-	-	-	60	200	326	12	13,6	T	●
	2180CBCCP/B	800x1055-1155x600	210	●	-	-	-	60	200	326	12	13,6	T	●
	2180CBBSCP/B	800x1055-1155x600	220	●	-	-	-	60	200	326	12	13,6	T	●
	2180CBGDCCP/B	900x1517-1577x550	260	●	-	-	-	60	200	326	12	13,6	T	●
2170	2175CBS3CP/B	670x1055-1115x500	180	●	-	-	-	50	150	345	12	10,1	T	-
	2175CBSCP/B	670x1055-1115x500	175	●	-	-	-	50	150	345	12	10,1	T	-
	2176CBSCP/B	670x1055-1155x500	180	●	-	-	-	50	150	345	12	10,1	T	●
	2576CBSC/B	670x600x500	160	●	-	-	-	50	150	345	12	10,1	T	●
20 SERIES	2620SC/B	695x600x455	160	●	●	●	-	50	150	320	14	9,2	T	●
	2320SC/B	695x540x455	175	●	●	●	-	50	150	340	14	7,7	T	●
	2120SC/B	595x495x455	130	●	●	●	-	40	150	340	14	7,7	T	●
	2520S	690x600x430	160	●	●	●	-	50	150	320	14	9,2	T	●
	2520S2L	690x600x430	155	●	●	-	-	50	150	360	14	9,0	T	●
	2520S2R	690x600x430	155	●	●	-	-	50	150	360	14	9,0	T	●
	2520S3	690x600x430	155	●	●	-	-	50	150	360	14	9,0	T	●
	2220S	690x540x430	150	●	●	●	-	50	150	340	14	7,7	T	●
	2020S	590x495x430	130	●	●	●	-	40	150	340	14	7,7	T	●
10 SERIES	2510S	730x610x430	180	●	●	●	-	50	150	320	14	9,2	T	●
	2510SD	730x610x410	150	●	●	-	-	50	150	360	14	9,0	T	●
	2210S	730x550x430	175	●	●	●	-	50	150	340	14	7,7	T	●
PHOENIX	PHOENIXII	725x670x474	95	●	-	-	-	30	150	330	12	8,7	T	-
	PHOENIXI	725x622x463	90	●	-	-	-	30	150	330	12	8,7	T	-
2100	2100S	670x690x410	130	●	●	●	-	50	200	335	12	8,1	T	●
	2100S2L	670x690x410	135	●	●	●	-	50	200	335	12	8,1	T	●
	2100S2R	670x690x410	135	●	●	●	-	50	200	335	12	8,1	T	●
	2100S3	670x690x410	135	●	●	●	-	50	200	335	12	8,1	T	●

Technical specifications

	Nominal power (kW)	Minimal power (kW)	Maximal power (kW)	Capacity (m ³)	Efficiency (%)	CO emissions % (13% O ₂)	Dust particles (mg/Nm ³)	Max. number connections	Connection diameter (mm)	Fan	Fan output (m ³ /h)	Electrical connection (V)	Adjustable fan	Distance from flammable objects: front (mm)	Secondary combustion	Outside air connection
	Based on fuel 'wood'							Convection air	Fan							
	14,0	4,7	16,0	280	>80	<0,10	<40	-	-	-	-	-	-	800	●	●
	12,0	4,0	14,0	240	>80	<0,10	<40	-	-	-	-	-	-	800	●	●
	10,0	3,3	12,0	200	>80	<0,10	<40	-	-	-	-	-	-	800	●	●
	8,0	2,7	10,0	160	>80	<0,10	<40	-	-	-	-	-	-	800	●	●
	4,8	1,9	5,9	95	80,1	0,09	29,3	-	-	-	-	-	-	800	●	●
	4,8	1,9	5,9	95	80,1	0,09	29,3	-	-	-	-	-	-	800	●	●
	15,0	5,0	17,0	300	76	0,1	20	10	125	O	400	230	●	800	●	●
	15,0	5,0	17,0	300	76	0,1	20	10	125	O	400	230	●	800	●	●
	15,0	5,0	17,0	300	76	0,1	20	10	125	O	400	230	●	800	●	●
	15,0	5,0	17,0	300	76	0,1	20	10	125	O	400	230	●	800	●	●
	10,0	3,3	12,0	200	75,9	0,06	19	4	125	O	400	230	●	800	●	●
	10,0	3,3	12,0	200	75,9	0,06	19	4	125	O	400	230	●	800	●	●
	10,0	3,3	12,0	200	75,9	0,06	19	4	125	O	400	230	●	800	●	●
	10,0	3,3	12,0	200	75,9	0,06	19	2	125	●	250	230	●	800	●	●
	10,0	3,3	12,0	200	80	0,1	21	2	125	●	180	230	●	800	-	-
	8,0	2,7	10,0	160	78,3	0,1	31	2	125	●	180	230	●	800	-	-
	7,0	2,3	9,0	140	78,3	0,1	31	2	125	●	140	230	●	800	-	-
	10,0	3,3	12,0	200	80	0,1	21	2	125	●	180	230	●	800	-	-
	10,0	3,3	12,0	200	80	0,1	29	2	125	●	140	230	●	800	-	-
	10,0	3,3	12,0	200	80	0,1	29	2	125	●	180	230	●	800	-	-
	10,0	3,3	12,0	200	80	0,1	29	2	125	●	140	230	●	800	-	-
	8,0	2,7	10,0	160	78,3	0,1	31	2	125	●	180	230	●	800	-	-
	7,0	2,3	9,0	140	78,3	0,1	31	2	125	●	140	230	●	800	-	-
	10,0	3,3	12,0	200	80	0,1	21	2	125	●	180	230	●	800	-	-
	10,0	3,3	12,0	200	78,1	0,1	29	2	125	●	140	230	●	800	-	-
	8,0	2,7	10,0	160	78,3	0,1	31	2	125	●	180	230	●	800	-	-
	9,0	3,0	11,0	180	79,3	0,06	23	-	-	-	-	-	-	800	●	-
	9,0	3,0	11,0	180	79,3	0,06	23	-	-	-	-	-	-	800	●	-
	10,0	3,3	12,0	200	78	0,1	31	-	-	-	-	-	-	800	-	-
	10,0	3,3	12,0	200	78	0,1	31	-	-	-	-	-	-	800	-	-
	10,0	3,3	12,0	200	78	0,1	31	-	-	-	-	-	-	800	-	-
	10,0	3,3	12,0	200	78	0,1	31	-	-	-	-	-	-	800	-	-

FIREPLACES

Product name	Dimensions w x h x d (mm)	Weight (kg)	Fuel				Length of logs (cm)	Ø connection (mm)	Average temp. of flue gasses(°C)	Minimum pression (Pa)	Flue gas volume (g/s)	Side (S), top (T) and/or rear (R) connection	Ash box/tray
			Wood	Lignite briquettes	Coal	Gas							
2100SD	670x690x410	120	●	●	●	-	50	200	335	12	8,1	T	●
2400GL	635x1055-1215x535	150	●	-	-	-	40	200	423	12	8,8	T/R/ 10°	O
2400BS	635x1055-1215x535	155	●	-	-	-	40	200	423	12	8,8	T/R/ 10°	O
2400GLA	635x1055-1215x535	155	●	-	-	-	40	200	423	12	8,8	T/R/ 10°	●
2400BSA	635x1055-1215x535	160	●	-	-	-	40	200	423	12	8,8	T/R/ 10°	●

2400

Technical specifications

	Nominal power (kW)	Minimal power (kW)	Maximal power (kW)	Capacity (m ³)	Efficiency (%)	CO emissions % (13% O ₂)	Dust particles (mg/Nm ³)	Max. number connections	Connection diameter (mm)	Fan	Fan output (m ³ /h)	Electrical connection (V)	Adjustable fan	Distance from flammable objects: front (mm)	Secondary combustion	Outside air connection	
	Based on fuel 'wood'							Convection air		Fan							
	10,0	3,3	12,0	200	78	0,1	31	-		-		-		800	-	-	
	9,0	3,0	11,0	180	72	0,1	32	-		-		-		800	●	-	
	9,0	3,0	11,0	180	72	0,1	32	-		-		-		800	●	-	
	9,0	3,0	11,0	180	72	0,1	32	-		-		-		800	●	-	
	9,0	3,0	11,0	180	72	0,1	32	-		-		-		800	●	-	

Fire with Character



DOVRE

Nijverheidsstraat 18
2381 Weelde
Belgium
+32 (0)14 65 91 91
info@dovrefire.com
www.dovrefire.com



Since we strive to improve our products continuously, prices and specifications of our products may deviate from those listed in this brochure without prior notice.
Reference nr 2015/08 EN - ref. 24.00305.052