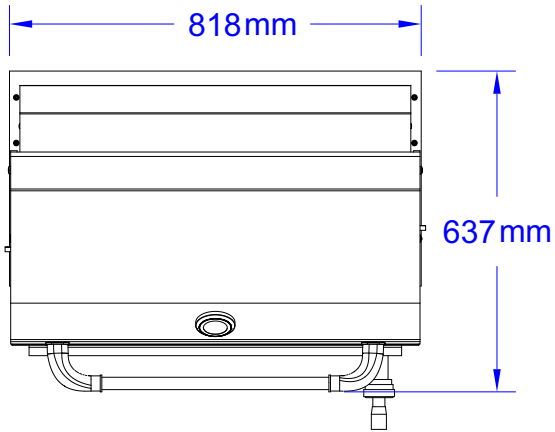
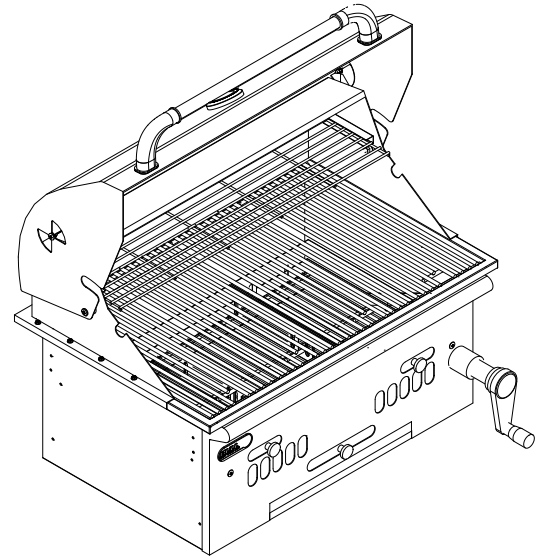




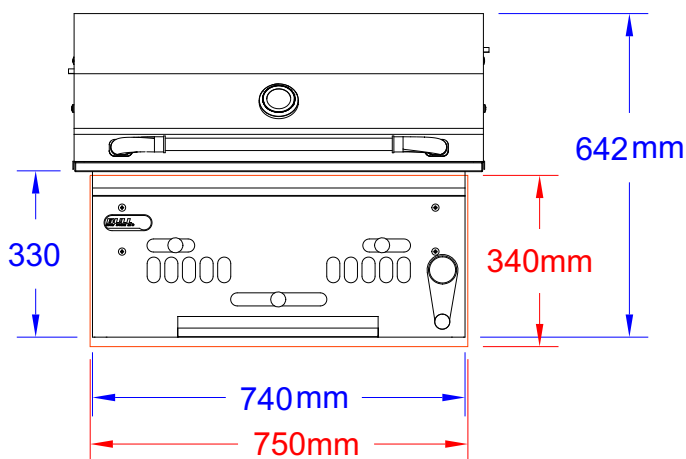
ITEMS: #88787
NEW BISON



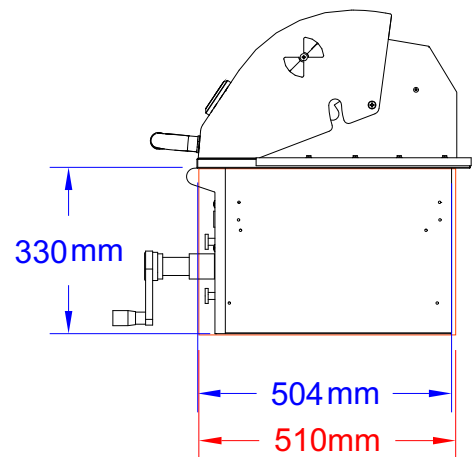
Top View



Isometric View



Front View



Side View

SPEC SHEET NOTES:

- 1. CUTOUT DIMENSIONS 750L X 510D X 340H
- 2. SCALE: 1:15 (Printer page scaling none, do not use fit to printable area option)
- 3. REVISION: 07/2019